

Prosilica GS

650



- Right-angle CCD camera with low height profile
- High frame rate
- Video-type auto iris
- Landscape or portrait sensor orientation

Landscape or portrait orientation

Right-angle CCD camera with Gigabit Ethernet interface

Prosilica GS 650 搭载 Sony ICX424 传感器，在 0.3 MP 分辨率下速度可达 120 帧/秒。

Prosilica GS cameras are periscope-type CCD cameras for industrial and microscopy applications. The compact GS-Series cameras have a Gigabit Ethernet interface (GigE Vision) that allows for very fast frame rates and long cable lengths.

- Compact size
- Very rugged
- Fast frame rates to 120 fps
- VGA to 5 Megapixels
- Landscape or portrait orientation
- Optional white medical housing
- Modular options available

性能参数

| | |
|----------|-----------------------|
| 接口 | IEEE 802.3 1000BASE-T |
| 分辨率 | 659 (H) × 493 (V) |
| 传感器 | Sony ICX424 |
| 传感器类型 | CCD Progressive |
| 快门种类 | GS (Global shutter) |
| 传感器尺寸 | Type 1/3 |
| 像元尺寸 | 7.4 μm × 7.4 μm |
| 标准镜头接口 | C-Mount |
| 最大满帧帧率 | 120 fps |
| ADC | 14 Bit |
| 缓存 (RAM) | 16 MByte |

输出

| | |
|--------------------|--|
| Bit 位数 | 8-bit or 12-bit |
| 黑白像素格式 | Mono8, Mono12, Mono12Packed |
| YUV 彩色像素格式 | YUV411Packed, YUV422Packed, YUV444Packed |
| RGB 彩色像素格式 | RGB8Packed, BGR8Packed |
| Raw 彩色像素格式 (Bayer) | BayerRG8, BayerRG12, BayerGR12Packed |

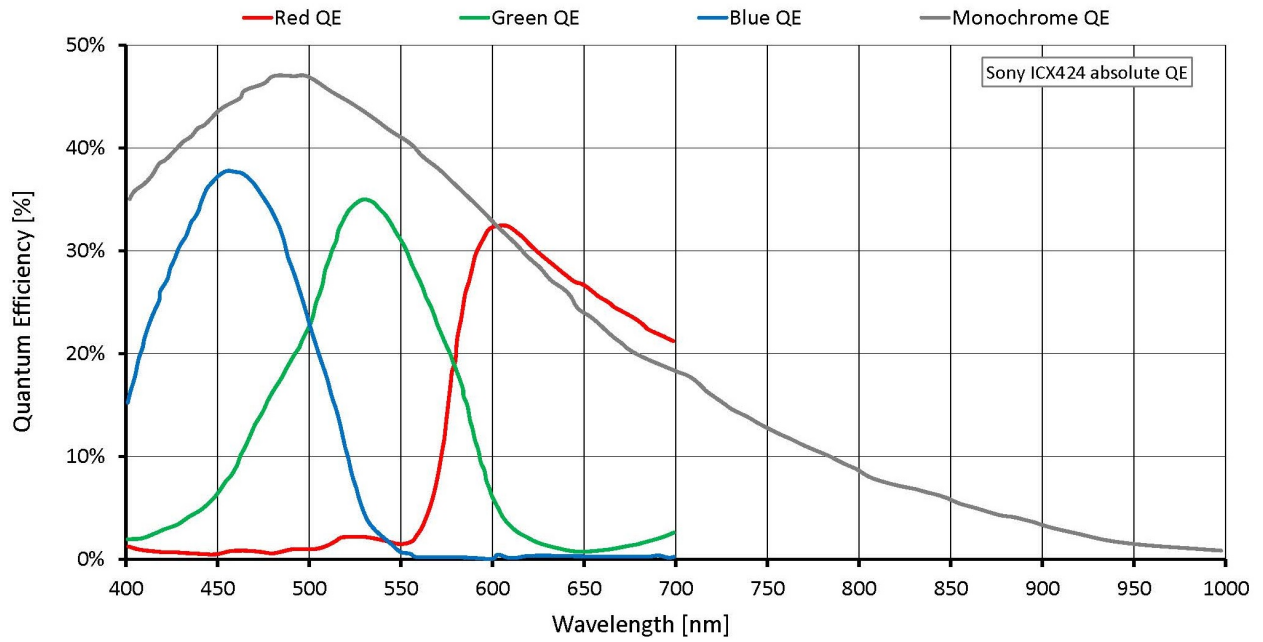
通用输入输出口 (GPIOs)

| | |
|----------|-------------------|
| TTL I/Os | 1 input, 1 output |
| 光耦 I/Os | 1 input, 1 output |
| RS232 | 1 |

工作条件/尺寸

| | |
|----------------------|---|
| 工作温度 | 0 °C to +70 °C ambient (without condensation) |
| 电源要求 (DC) | 5 to 25 VDC |
| 功耗 | 3 W at 12 VDC |
| 重量 | 184 g |
| 尺寸 (L × W × H in mm) | 96 × 56 × 26 (including connectors) |

量子转换效率

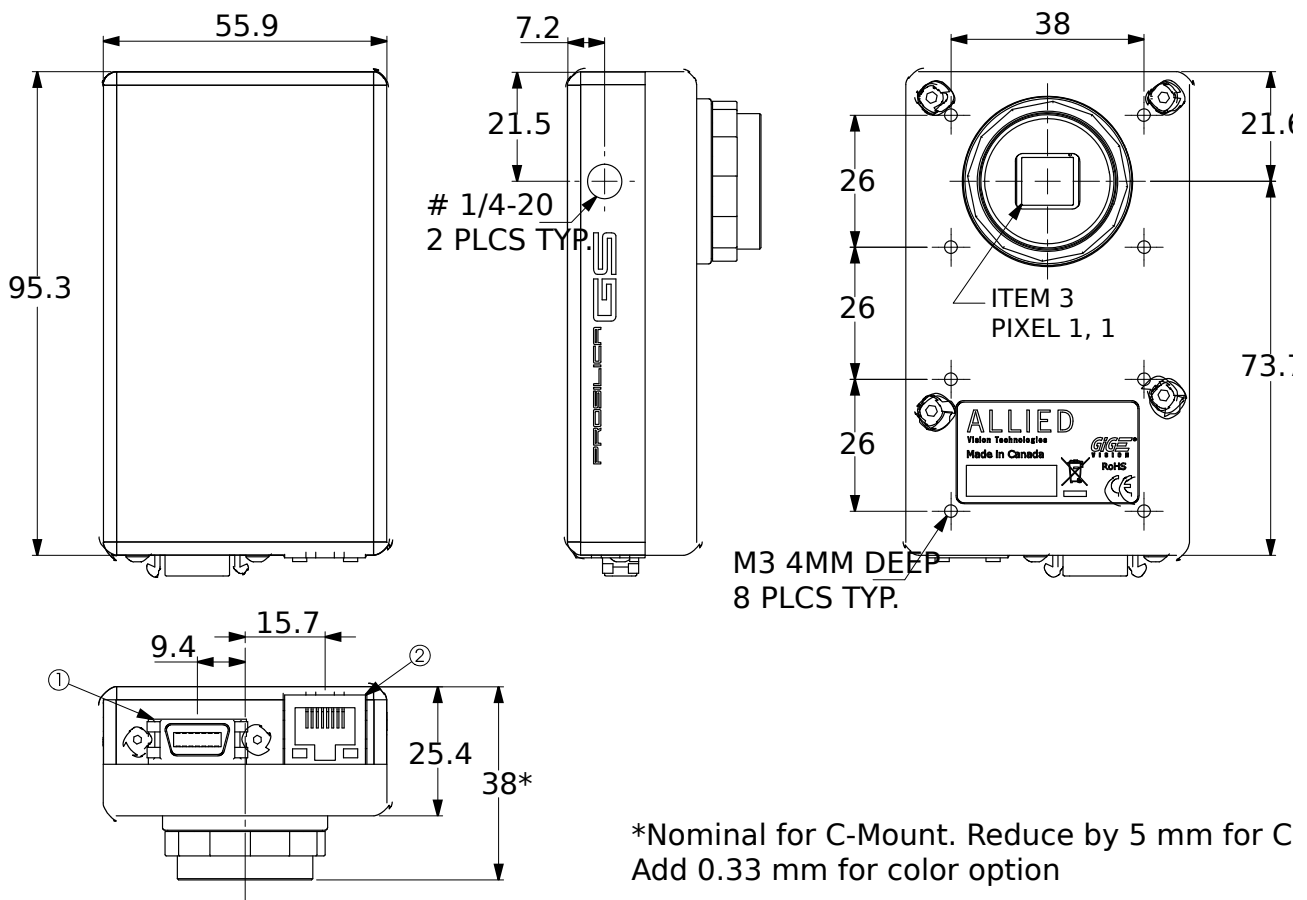


特性

Prosilica GS650 features include:

- Auto-iris (video type)
- Region of interest (ROI), DSP subregion (selectable ROI for auto features)
- Binning (Sum)
- Auto gain (manual gain control: 0 to 30 dB)
- Auto exposure (manual exposure controls: 10 μ s to 78.5 s)
- Auto white balance
- StreamBytesPerSecond (bandwidth control)
- Stream hold
- Sync out modes: Trigger ready, input, exposing, readout, imaging, strobe, GPO
- Global shutter (digital shutter)
- Recorder and Multiframe acquisition modes
- Event channel
- Image chunk data
- Storable user sets

外形尺寸



应用场景

Prosilica GS650 is ideal for a wide range of applications including:

- Machine vision
- Industrial inspection
- Public security
- Traffic monitoring
- Microscopy