



- Versatile 6 Megapixel camera
- 15.2 fps at full resolution
- Power over Ethernet option
- Video-iris lens control

简化多相机应用设置

搭载千兆网接口的模块化机器视觉相机

Manta G-609 搭载 Sony ICX694 传感器，在 6.1 MP 分辨率下速度可达 15.2 帧/秒。

Manta 是 Allied Vision 用途最广泛的千兆网口相机系列。该系列相机可提供最丰富的图像传感器选项，并且凭借先进的功能组合简化了多相机应用设置。模块化硬件概念更是让 Manta 相机可提供近乎无限的配置选择，以灵活满足各种应用的需求。

与 Allied Vision 的 **Vimba 套件** 轻松集成，并与流行的 **第三方图像处理库** 兼容。

请参阅关于镜头接口、外壳选项、光学滤镜、外壳设计和其他模块化选项。如需特别定制，请参阅 **OEM 定制方案** 网页。

性能参数

接口	IEEE 802.3 1000BASE-T, IEEE 802.3af (PoE) optional
分辨率	2752 (H) × 2206 (V)
传感器	Sony ICX694
传感器类型	CCD Progressive
快门种类	GS (Global shutter)
传感器尺寸	Type 1
像元尺寸	4.54 μm × 4.54 μm
Lens mounts (available)	C-Mount, CS-Mount
最大满帧帧率	15.2 fps
ADC	14 Bit
缓存 (RAM)	128 MByte

输出

Bit 位数	8-bit, 12-bit, or 14-bit
黑白像素格式	Mono8, Mono12, Mono12Packed
YUV 彩色像素格式	YUV411Packed, YUV422Packed, YUV444Packed
RGB 彩色像素格式	RGB8Packed, BGR8Packed
Raw 彩色像素格式 (Bayer)	BayerRG8, BayerRG12, BayerRG12Packed

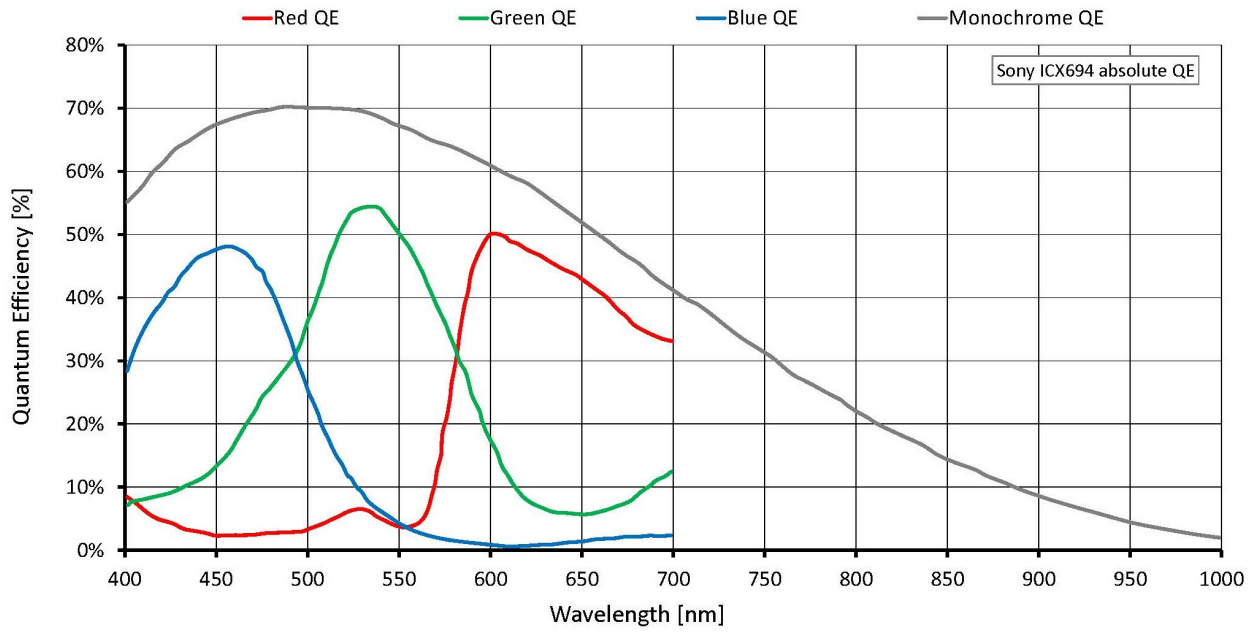
通用输入输出口 (GPIOs)

光耦 I/Os	2 inputs, 2 outputs
RS232	1

工作条件/尺寸

工作温度	+5 °C to +45 °C ambient (without condensation)
电源要求 (DC)	8 to 30 VDC AUX or 802.3af PoE
功耗	3.9 W at 12 VDC; 4.6 W PoE
重量	190 g; 200 g (PoE)
尺寸 (L × W × H in mm)	86.4 × 44 × 29 (including connectors)

量子转换效率



特性

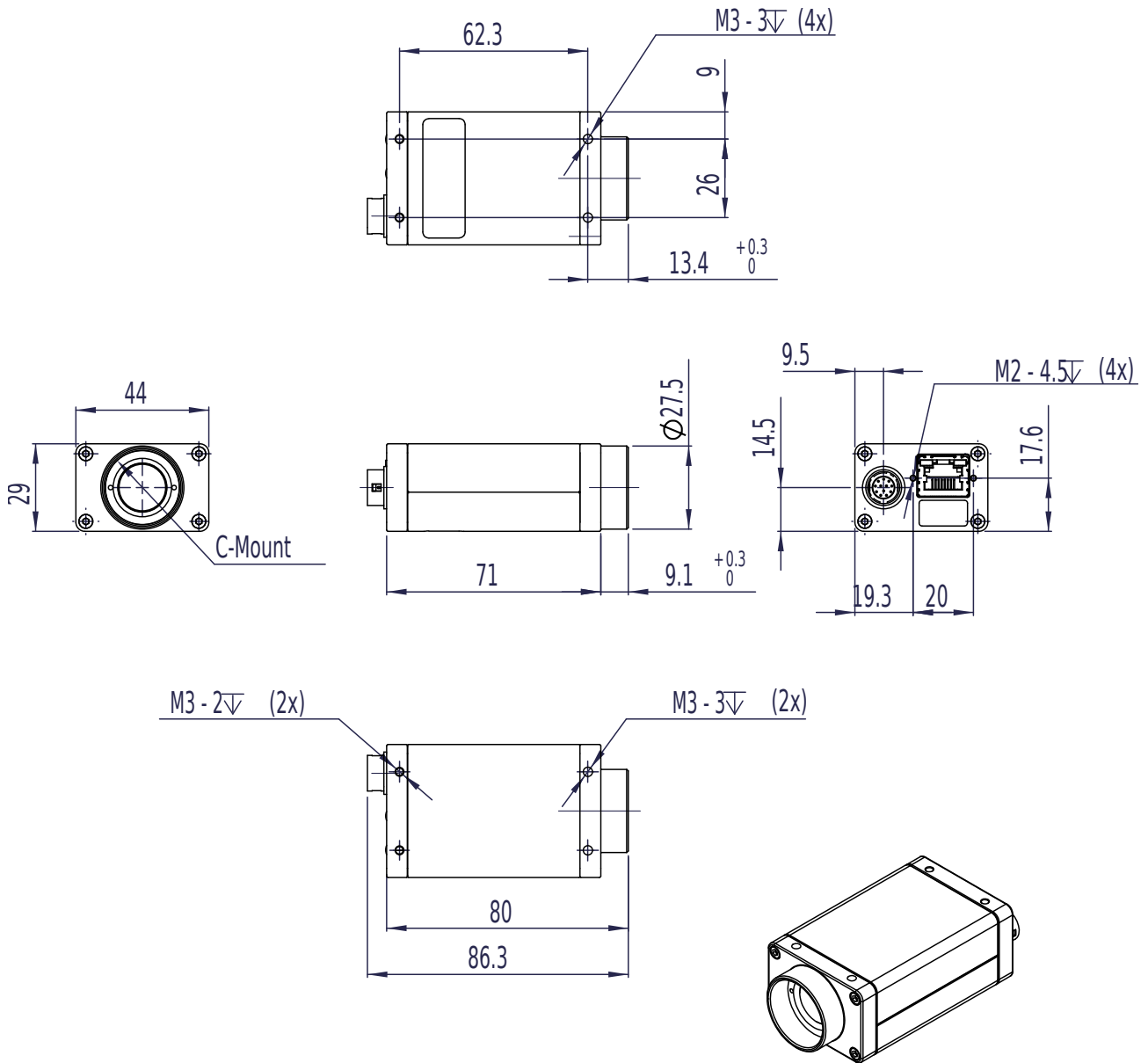
Image optimization features:

- Auto gain (manual gain control: 0 to 33 dB, 1dB increments)
- Auto exposure (41 μ s to 38 s; 1 μ s increments)
- Auto white balance (G-609C only)
- Binning
- Black level (offset)
- Color correction, hue, saturation (G-609C only)
- Decimation
- Gamma correction
- Three look-up tables (LUTs)
- Region of interest (ROI), separate ROI for auto features

Camera control features:

- Auto-iris (video type)
- Event channel
- Image chunk data
- IEEE 1588 Precision Time Protocol (PTP)
- Storable user sets
- StreamBytesPerSecond (easy bandwidth control)
- Stream hold
- Sync out modes: Trigger ready, input, exposing, readout, imaging, strobe, GPO
- Tap mode switchable in Vimba Viewer 2.0 or later (two-tap, one-tap)
- Temperature monitoring (main board)
- Trigger over Ethernet (ToE) Action Commands

外形尺寸



应用场景

Manta G-609 is suitable for a wide range of applications including:

- High-resolution surveillance
- Metrology and inspection systems
- Scientific measurement
- Microscopy
- Forensic solutions
- ITS traffic solutions
- Applications requiring a highly sensitive camera (low light conditions)
- Applications requiring good sensitivity in the NIR spectrum