

Prosilica GC

1290



- GigE Vision interface
- Rugged housing
- IEEE 1588 PTP
- Auto iris

Compact performance

Prosilica GC - Ultra-compact GigE Vision camera

Prosilica GC 1290 with Sony ICX445 runs 33.0 frames per second at 1.2 MP resolution.

The Prosilica GC is a GigE camera with an ultra-compact, lightweight housing, fast frame rates, and auto-iris control. It offers a large choice of CCD and CMOS sensors up to 5 Megapixels and fits a wide range of applications.

Easy software integration with [Allied Vision's Vimba Suite](#) and compatibility to the most popular third party image-processing libraries.

See the [Modular Concept](#) for lens mount, housing variants, optical filters, case design, and other modular options. See the [Customization and OEM Solutions webpage](#) for additional options.

Specifications

Interface	IEEE 802.3 1000baseT
Resolution	1280 (H) × 960 (V)
Sensor	Sony ICX445
Sensor type	CCD Progressive
Shutter mode	GS (Global shutter)
Sensor size	Type 1/3
Pixel size	3.75 μm × 3.75 μm
Lens mount (default)	C-Mount
Max. frame rate at full resolution	33 fps
ADC	12 Bit
Image buffer (RAM)	64 MByte

Imaging performance

Imaging performance data is based on the evaluation methods in the EMVA 1288 Release 3.1 standard for characterization of image sensors and cameras. Measurements are typical values for monochrome models measured at full resolution without optical filter.

Quantum efficiency at 529 nm	51 %
Temporal dark noise	14.0 e ⁻
Saturation capacity	6200 e ⁻
Dynamic range	52.7 dB
Absolute sensitivity threshold	14.5 e ⁻

Output

Bit depth	8-bit or 12-bit
Monochrome pixel formats	Mono8, Mono12, Mono12Packed
RGB color pixel formats	RGB8Packed, BGR8Packed
Raw pixel formats	BayerRG8, BayerRG12, BayerRG12Packed

General purpose inputs/outputs (GPIOs)

TTL I/Os	1 input, 1 output
Opto-isolated I/Os	1 input, 1 output

Operating conditions/dimensions

Operating temperature 0 °C to +50 °C ambient (without condensation)

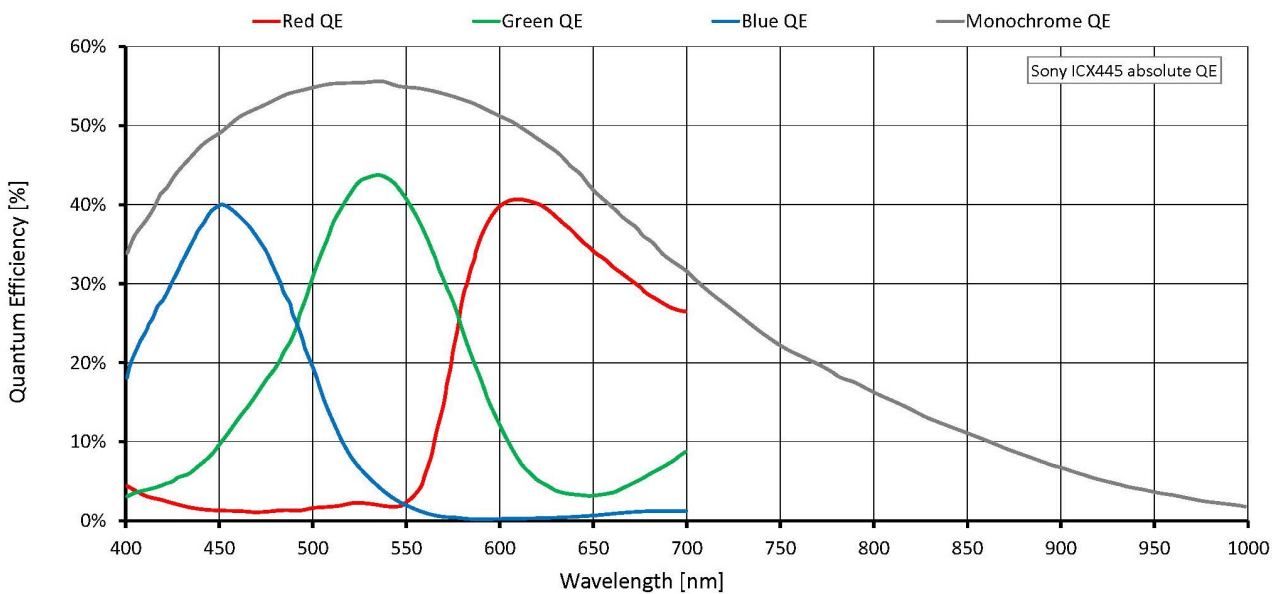
Power requirements (DC) 5 to 25 VDC

Power consumption 3 W at 12 VDC

Mass 106 g

Body dimensions (L × W × H in mm) 59 × 46 × 33 (including connectors)

Quantum efficiency



Features

Image control: Auto

- Auto exposure
- Auto gain
- Auto white balance (color models)

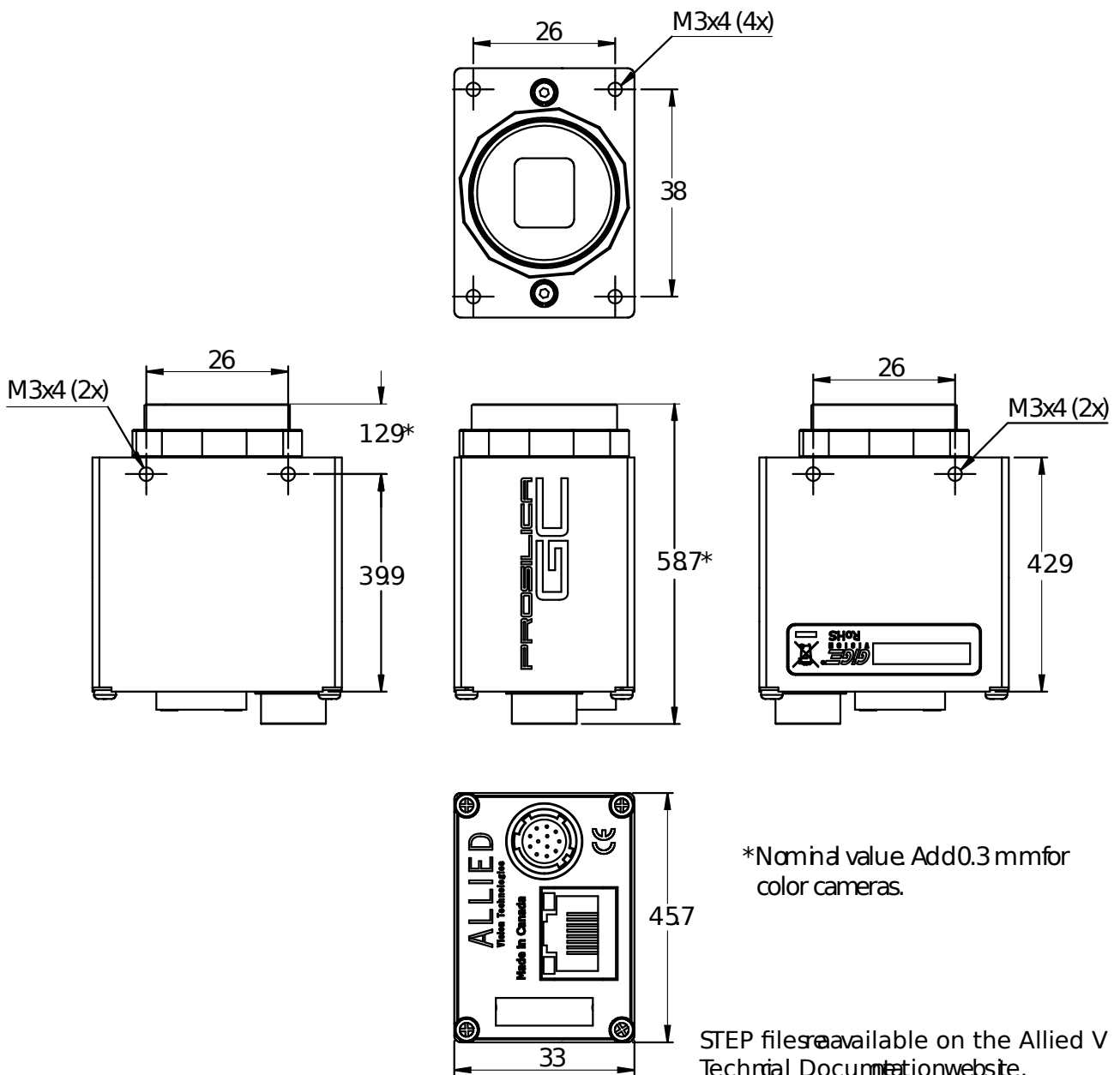
Image control: Other

- Binning
- Black level
- Color transformation (incl. hue, saturation; color models)
- Gamma
- LUT (look-up table)
- ROI (region of interest)

Camera control

- Acquisition frame rate
- Auto iris
- Bandwidth control
- Event channel
- Firmware update in the field
- I/O and trigger control
- Image chunk data
- PTP (IEEE 1588 Precision Time Protocol)
- Stream hold
- Temperature monitoring
- User sets

Technical drawing



Applications

Prosilica GC1290 is ideal for a wide range of applications including:

- Industrial inspection
- Machine vision
- Ophthalmology
- Aeronautical and aerospace
- Public security

- Surveillance
- Traffic imaging
- OEM applications