



TAYLOR TECH UNION LTD.

Block B, 10/F., Wing Tai Factory Building, 3 Tai Yip St., Kwun Tong, Kowloon, Hong Kong
 Tel: +852-2148 6426 Fax: +852-2148 6841 Email: tayloy@ywc.com.hk

Customer

TEXIM

REV

DESCRIPTION

BY DATE

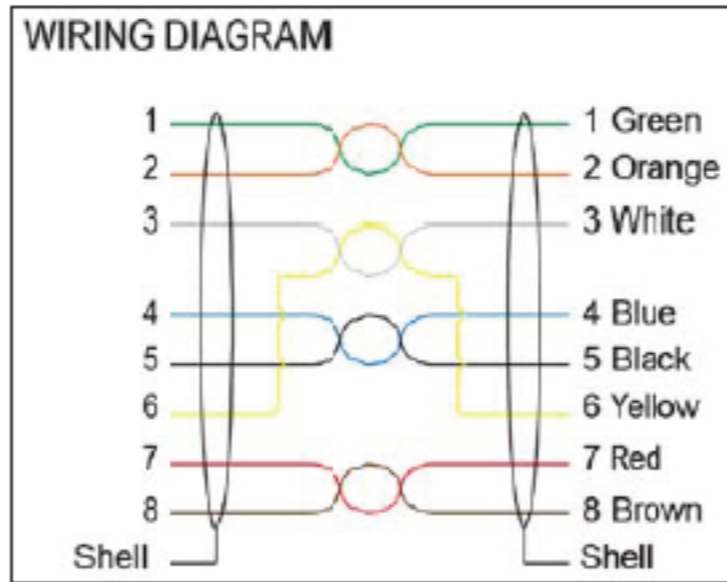
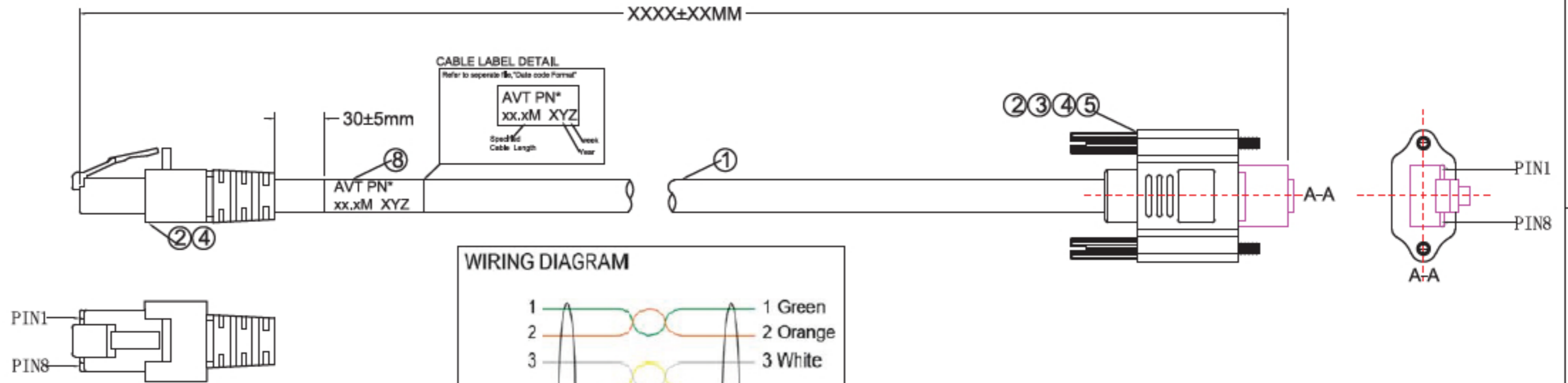
DWG NO.

T99261-00

A CREATED

** 2020.10.23

CONFIDENTIAL DOCUMENT! THE INFORMATION CONTAINED IN THIS DRAWING IS THE SOLE PROPERTY OF TAYLOR TECH UNION LTD. ANY REPRODUCTION IN PART OR WHOLE WITHOUT THE WRITTEN PERMISSION OF TAYLOR TECH UNION LTD IS FROHIBITED.
 The cable assy should comply with the European Parliament and the Council Directive : 2015/EU/863. for the restriction of hazardous substances (ROHS) . The manufacturer will provide a certification proving the ROHS compliance of the cable assy whenever customer requires such.



P/N	LENGTH	2D DATA MATRIX CODE: ECC 200 10×10, CONTENT: P/N
15764	3000±100mm	
15765	5000±200mm	
15766	10000±500mm	

NOTES:

- 1)100% TEST MIS-WRING,SHORT AND OPEN.
- 2)CONTACT RES:≤2 Ω
- 3)INSULATION RES:≥5M Ω
- 4)HI-POT TEST:DC300V/ms
- 5)ALL COMPONENTS MUST BE RoHS COMPLIANT!
- 6)ALL WIRING HARNESSSES SHALL BE MADE TO GENERALLY ACCEPTED INDUSTRY STANDARDS IPC-WHMA-A-620 (CLASS 2)

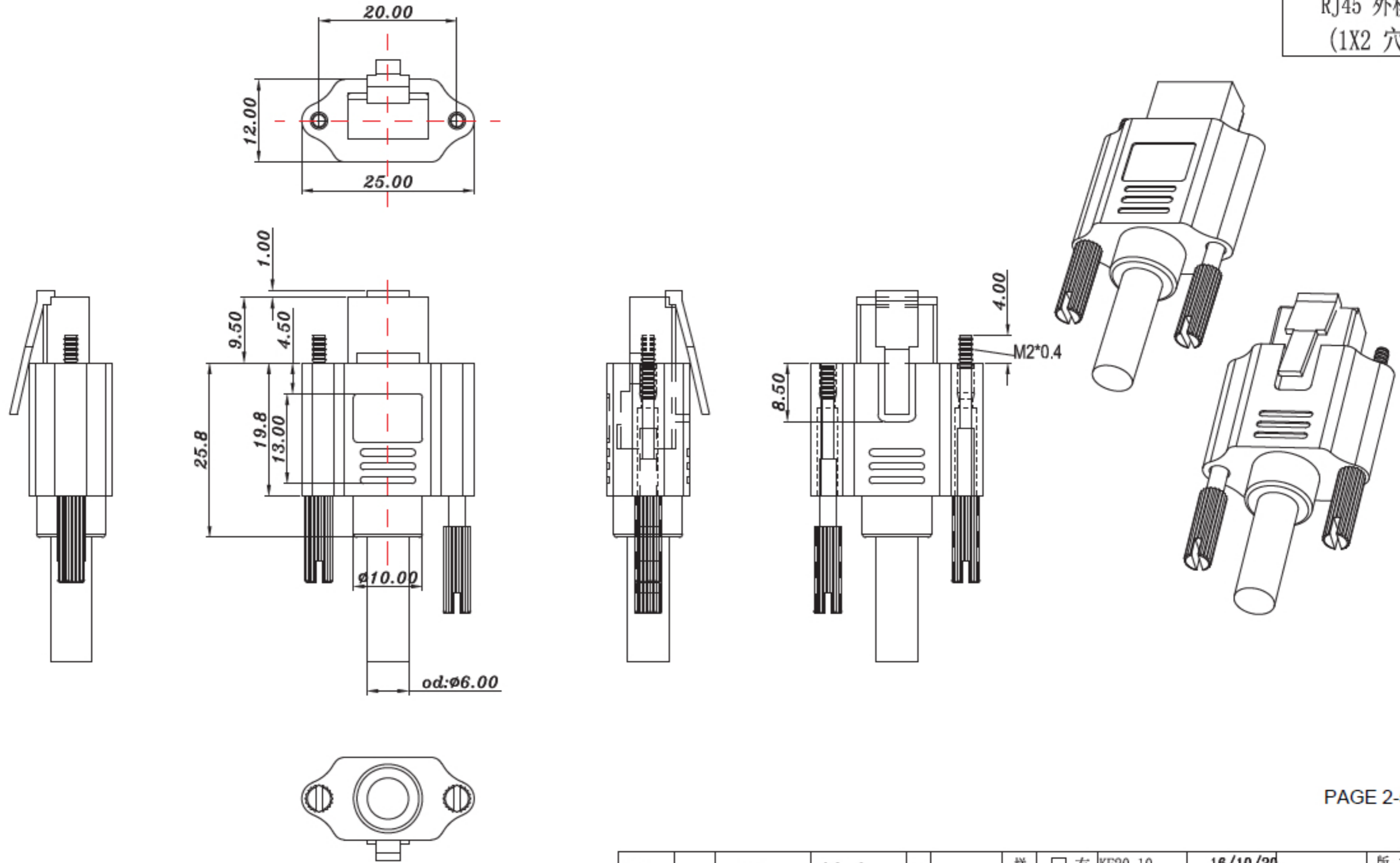
NO.	C. O. M 物料代码	Specification description	Q`TY	MFR.
⑧		CABLE LABEL	1PCS	
⑦		HEAT SEALED PE BAG	1PCS	
⑥		PE Bag Label	1PCS	
⑤		SCREW 4*36.2 M2 *0.4镀镍	2PCS	
④		55P PVC BLACK #XXXX	30G	
③		CLEAR PE #XXXX	10G	
②		CONNECTOR:8P8C 6U" V2 方孔 空唛 OD=1.02MM包铁壳	2PCS	
①		WIRE:CAT.6 SFTP 28AWG/4P+AL+B Ø:6.0 BLACK	XXXXMM	

TOLERANCES

.XXX ±.025mm
 .XX ±.100mm
 .X ±.250mm
 Wire Lenght
 0-100 ±5mm
 101-300 ±10mm
 301-500 ±15mm
 501-<1000 ±20mm
 1000-<2000 ±50mm
 2000+ ±100mm

P/N:	A72-2423-A				
TITLE:	CABLE GIGE XXM INDUSTRIAL SUITABILITY CAT6				
SHEET	PROJECTION	UNIT	DRAWN	VERIFIED	APPROVED
1 OF 6		MM	XUEKAI		

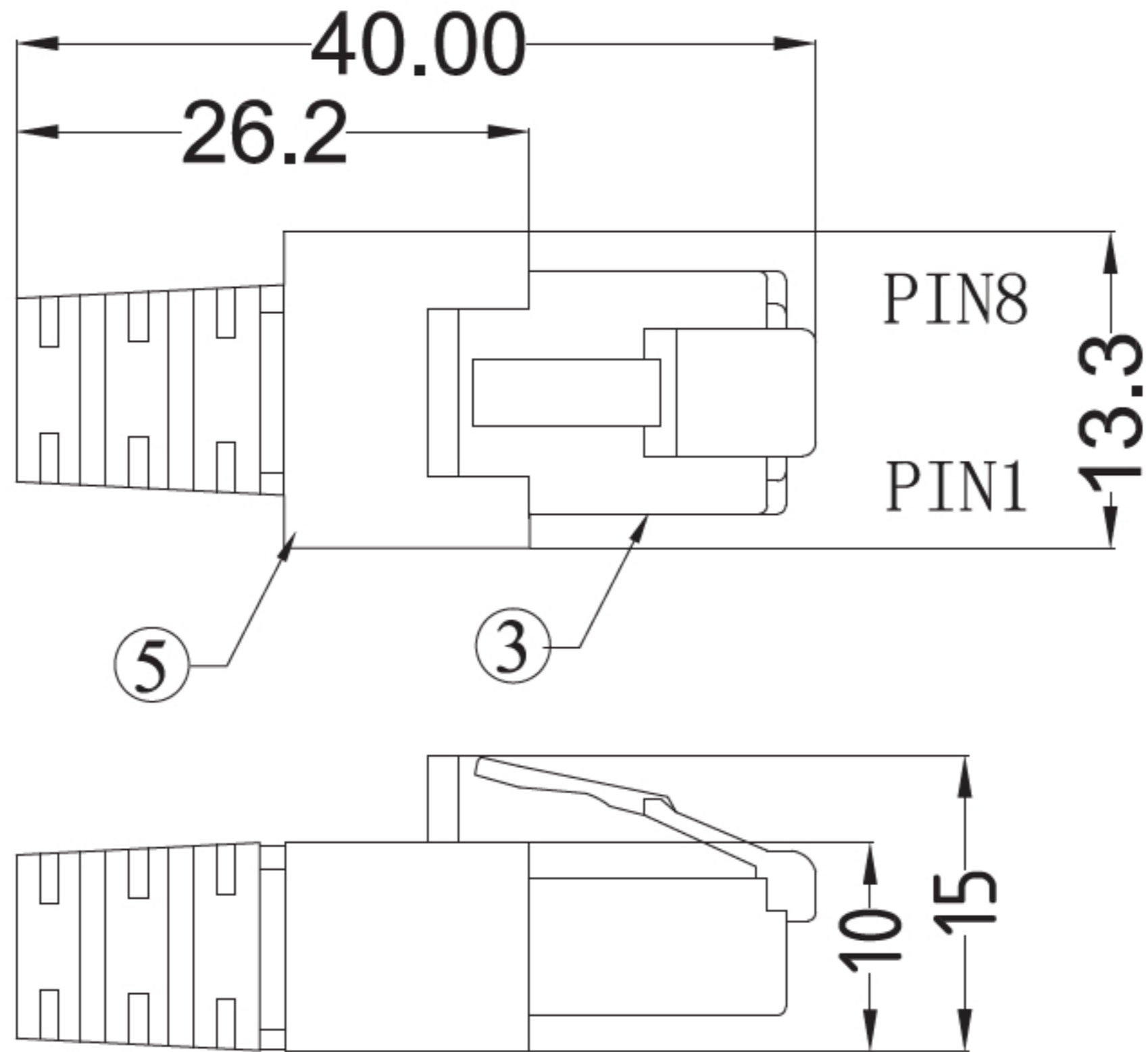
产品名称
RJ45 外模
(1X2 穴)



PAGE 2-5

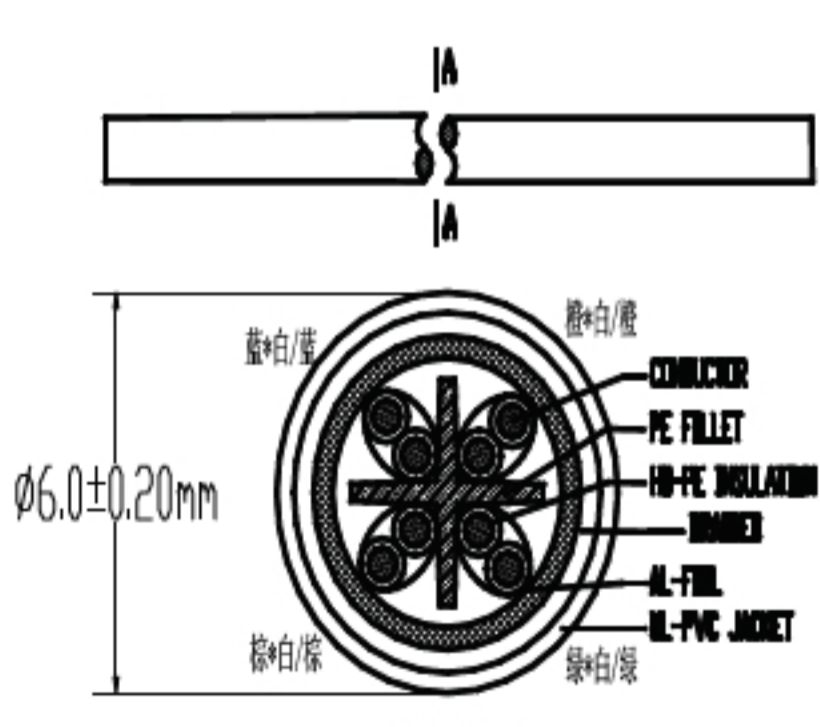
Note: the tolerance not marked is ± 0.15

材料	096	$\phi 6.0$	亮度	样品	<input type="checkbox"/> 有 <input checked="" type="checkbox"/> 无	KF20-10	16/10/20	版本	A1
铜公	厂商	线径		单位: mm	模具编号	设计日期	交模日期	公差: $.xx \pm 0.05$ $.x \pm 0.1$ $. \pm 0.15$ 角度 $\pm 0.5^\circ$	
	页次	共第	页	TAYLOR TECH UNION LTD.			设计	TZP	
				TEL:0769-86552361 86653178 FAX:86652373					



				样品 <input type="checkbox"/> 有 <input type="checkbox"/> 无		#1014	6/4/2017	6/4/2017	版本 A0
				单位: mm		模具编号	设计日期	交模日期	\varnothing
客户		线径		亮度		审核	核准	设计	公差:
页次	共第	页	第	TAYLOR TECH UNION LTD.				WU	.xx ± 0.05
				TEL:0769-86552361		86653178		FAX:86652373	
								.x ± 0.1	
								. ± 0.15	
								角度±0.5°	

规格书 SPECIFICATION

CUSTOMER		STYLE	CAT. 6 SFTP 28AWG/4P+AL+B	DOCUMENT NO	0072018083101	
PART NO		REV NO	A/0	ESTABLISHED DATE	2020/8/31	
CONDUCTOR 导体	SIZE 规格	28AWG		SPIRAL MATERIAL 缠绕材质	_____	
	COND. MATERIAL 导体材质	BC		SPIRAL CONSTRUCTION 缠绕结构	_____	
	CONSTRUCTION 导体结构	7/0.12±0.008mm		FILLET MATERIAL 填充材质	PE十字架	
INSULATION 绝缘	AVG THICK. 平均厚度	0.28mm		FILLET CONSTRUCTION 填充结构	1PCS	
	MIN THICK. 最小厚度	0.20mm		MYLAR MATERIAL 麦拉材质	透明	
	DIAMETER 绝缘外径	0.93+/-0.05mm		MYLAR CONSTRUCTION 麦拉结构	16/0.02mm	
	MATERIAL 材质	HD-PE		COVERED DIAMETER 中被外径	_____	
	COLOR 颜色			COVERED MATERIAL 中被材质	_____	
SHIELDED 隔离	DRAIN MATERIAL 地线材质			JACKETED 外被	AVG. THICK. 平均厚度	0.60mm
	SIZE 规格				MIN. THICK. 最小厚度	0.5mm
	AL/MYLAR MATERIAL 铝箔材质	单面铝箔			DIAMETER 完成外径	Φ6.0±0.20mm
	AL/MYLAR CONSTRUCTION 铝箔结构	16/0.02mm		MATERIAL 材质	55P UL-PVC 所有原材料符合ROHS及REACH	
	BRAIDED SHIELD MATERIAL 编织材质	TC		COLOR 颜色	BK#(半雾面/套管状)	
	BRAIDED SHIELD CONSTRUCTION 编织结构	16/4/0.1mm		ELECTRIC FANCTION 电气	CONDUCTOR RESISTANCE 导体电阻	MAX:227 Ω/KM,20℃
MARKING 印字内容	AWM 2835 28AWG 60℃ 30V VW-1 TIA/EIA 568B.2 SFTP CAT.6					
 <p style="text-align: center;">SEC:A-A</p>				SEC:A-A		
				<p>NOTE:</p> <p>1. CONDUCTOR: 28AWG BC(7/0.12±0.008mm)</p> <p>2. INSULATION: HD-PE ID=0.93+/-0.05mm; COLOR: 4P(BLUE*WHITE/BLUE) (ORANGE*WHITE/ORANGE)(GREEN*WHITE/GREEN) (BROWN*WHITE/BROWN);</p> <p>3. FILLET: 1PCS PE十字架</p> <p>4. AL/MYLAR: 16/0.02mmAL/Mylar</p> <p>5. BRAIDED SHIELD: 16/4/0.1mm TC</p> <p>6. JACKET: 55P UL-PVC COLOR: BK#(HALF ATOMIZER) OD=6.0±0.20mm.</p>		
CUSTOMER APPROVAL 客户确认	NOTE: Bending radius: 60mm MIN					
DRAWING	Gongping Fu	ENGINEER	H.M.A	MANAGER		



TAYLOR TECH UNION LTD.

Unit05, 23/F., Tamson Plaza, No 161 Wai Yip Street, Kwun Tong, Kowloon, Hong Kong
 Tel: +852-2148 6426 Fax: +852-2148 6841 Email: tayloy@ywc.com.hk

Customer **TEXIM**
 DWG NO. **T99261-00**

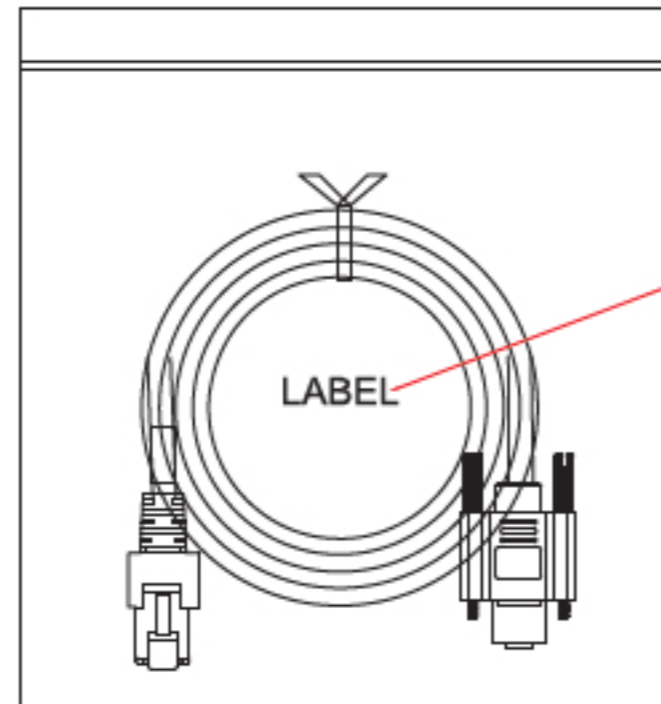
REV	DESCRIPTION	BY	DATE
A	CREATED	**	2020.11.6

Do not scale

CONFIDENTIAL DOCUMENT! THE INFORMATION CONTAINED IN THIS DRAWING IS THE SOLE PROPERTY OF TAYLOR TECH UNION LTD. ANY REPRODUCTION IN PART OR WHOLE WITHOUT THE WRITTEN PERMISSION OF TAYLOR TECH UNION LTD IS FROHIBITED.
 The cable assy should comply with the European Parliament and the Council Directive : 2011/65/EU for the restriction of hazardous substances (ROHS) . The manufacturer will provide a certification proving the ROHS compliance of the cable assy whenever customer requires such.

UPDATE THE FOLLOWING LABEL REQUIREMENTS FOR EACH PRODUCT:
 1.LENGTH
 2.P/N
 3.TWO DIMENSIONAL CODE OF P/N

Separate package:



⑨⑩⑪

Importer to the EU:
 TEXIM EUROPE B.V.
 Eletrostraat 17
 NL-7483 PG Haaksbergen
 The Netherlands

PAGE 6-6

NO.	C. O. M 物料代码	Specfication description	Q'TY	MFR.	Part No.
⑪		LABEL:75*35MM Black characters on white background			
⑩		TRANSPARENT PE BAG			
⑨		BLACK TIE*80MM			

TOLERANCES UNLESS SPECIFIED .XXX ±.025mm .XX ±.100mm .X ±.250mm X ±.50mm ANGLES ±0.5° Wire Lenght 0-100 ±5mm 101-300 ±10mm 301-500 ±15mm 501-<1000 ±20mm 1000-<2000 ±50mm 2000+ ±100mm	P/N:	A72-2423-A				
	DESC:	CABLE GIGE XXM INDUSTRIAL SUITABILITY CAT6				
	SHEET	PROJECTION	UNIT	DRAWN	VERIFIED	APPROVED
	6 OF 6		MM	Xuekai		