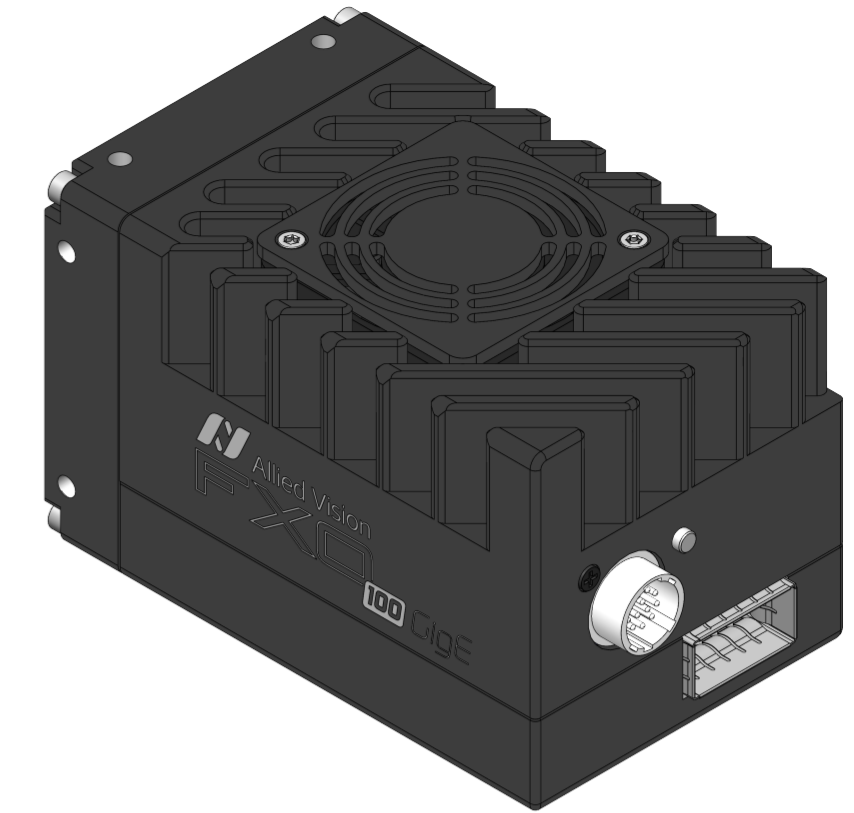
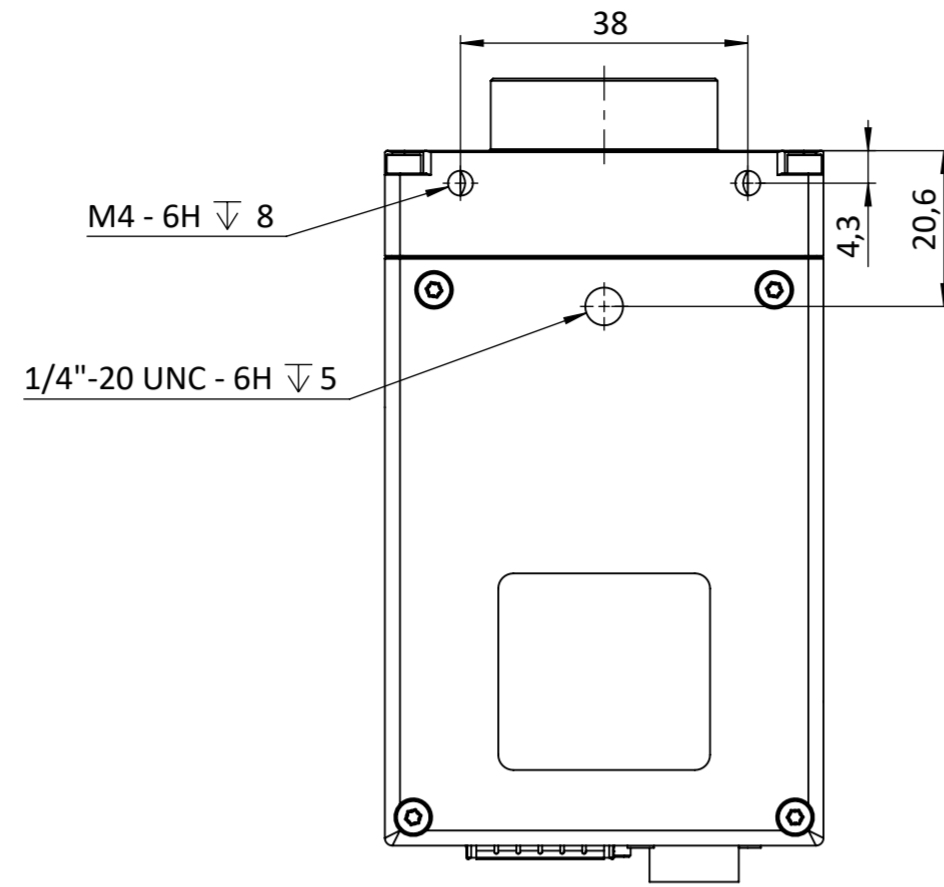
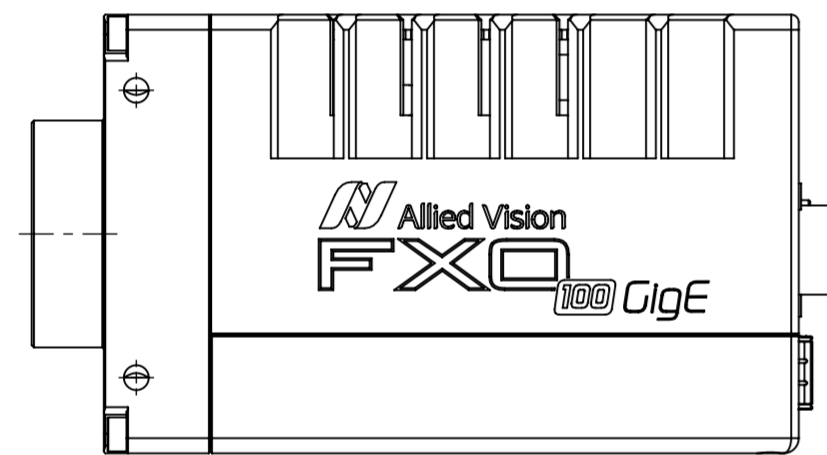


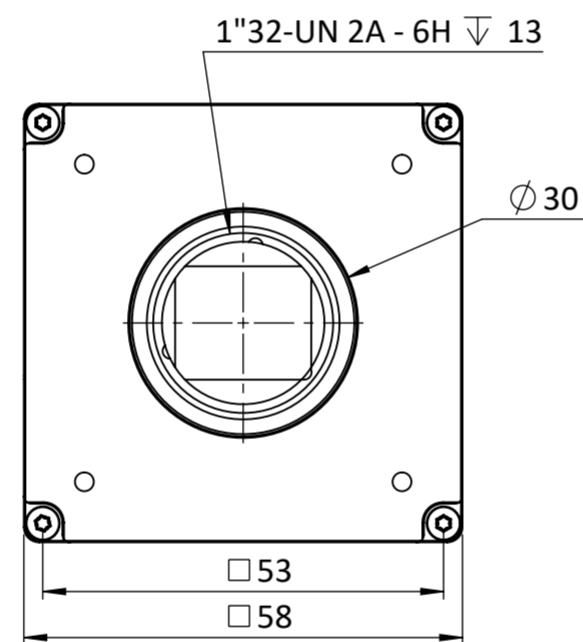
bottom view



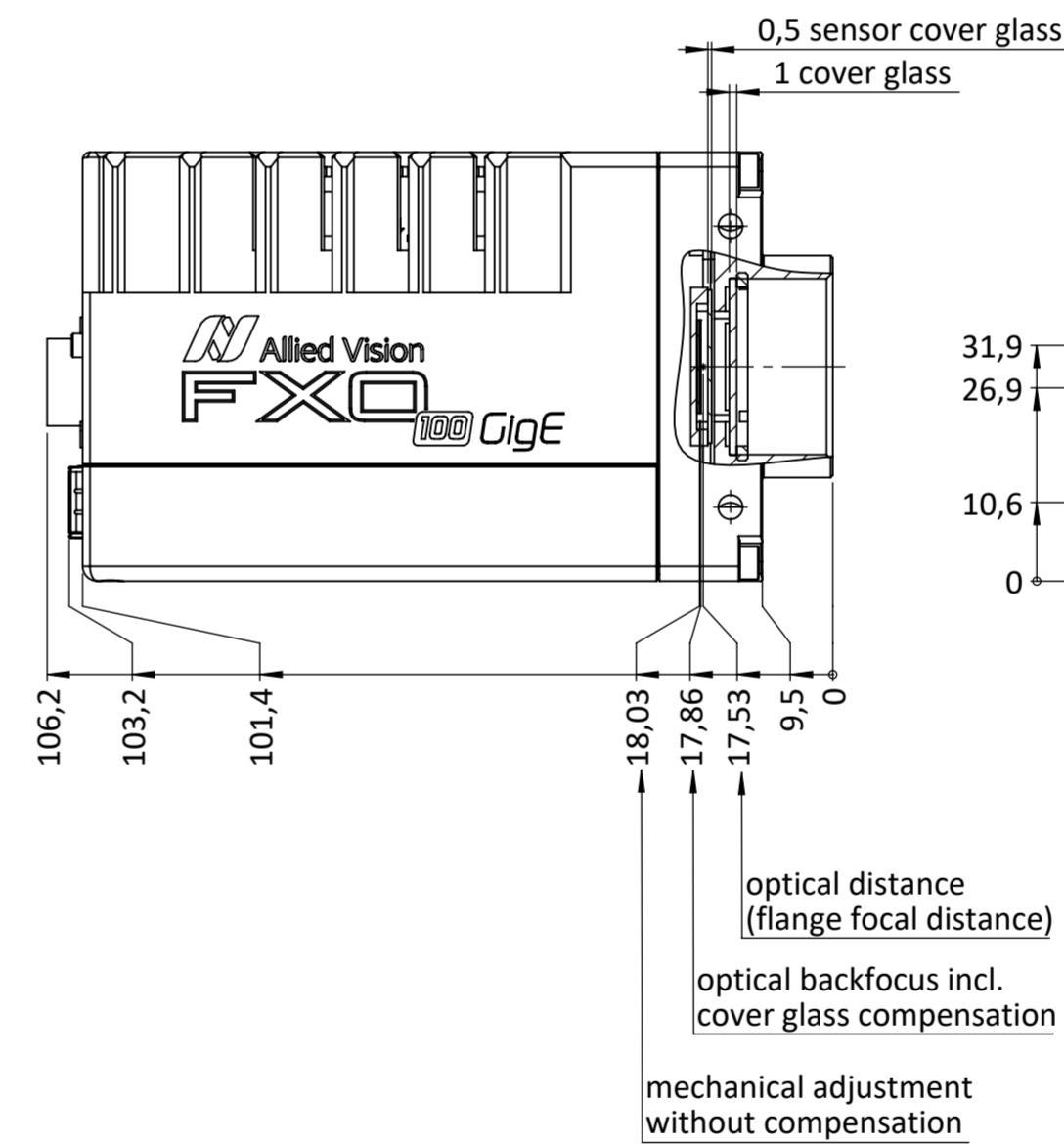
right view



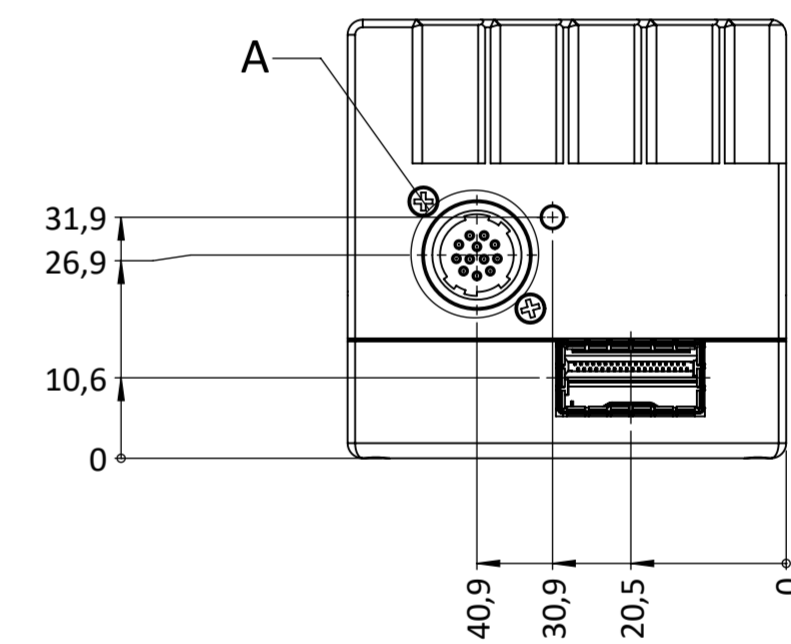
front view



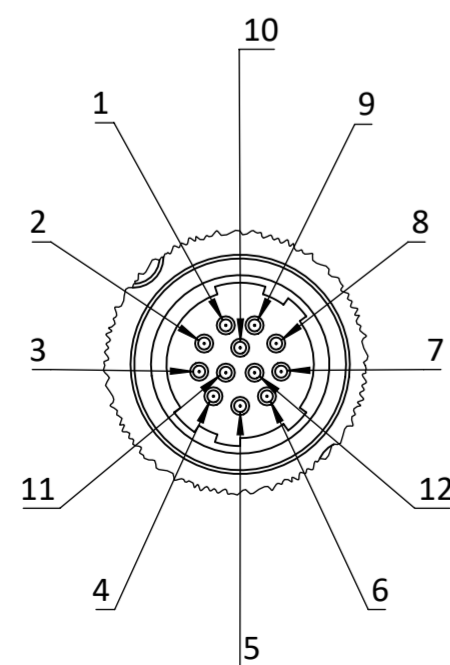
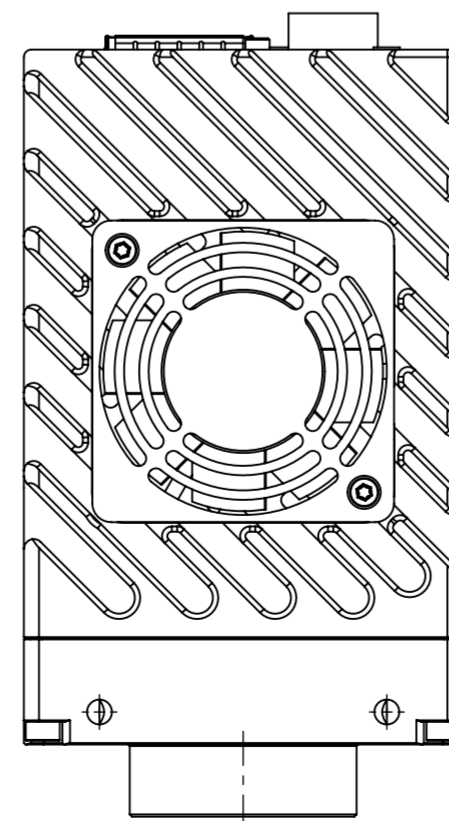
left view



back view



top view



DETAIL A
MAßSTAB 2 : 1

Hirose Pinout	
EXO, FXO, HR (CL Deca, CXP), SHR	
Pin	Signal
1	V IN- (GND)
2	V IN+ (24V DC)
3	IN 4 RxD (RS232)
4	OUT 4 TxD (RS232)
5	IN 1 (0 - 24V)
6	IN 2 (0 - 24V)
7	OUT 1 (open drain)
8	OUT 2 (open drain)
9	IN 3+ (opto IN+)
10	IN 3- (opto IN-)
11	OUT 3 (open drain)
12	OUT 0 (open drain)

drawing applies to
mono and color
cameras

- fxo925M100GE
- fxo925C100GE
- fxo926M100GE
- fxo926C100GE

		all dimensions in mm unless otherwise specified		Scale: 1:1	Rev.: 1
		Customer Interface Drawing			
Drawn	C. Thomas	Sign.	Date	Title: fxo92xx100GE	
Checked	---	---	24.06.2026	Technical changes reserved	
Material:			Material No.:		
Weight:			A2		