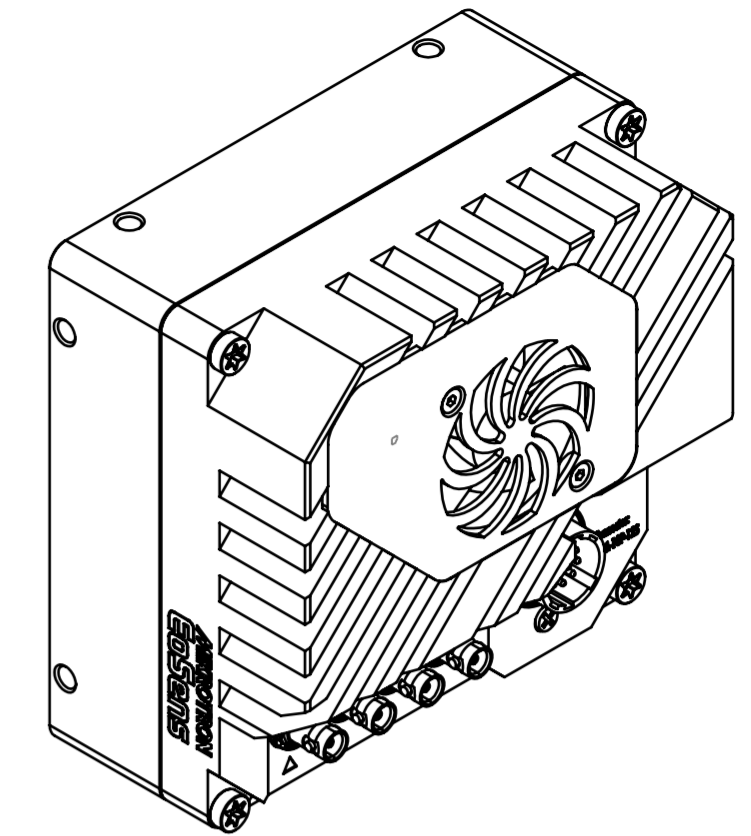
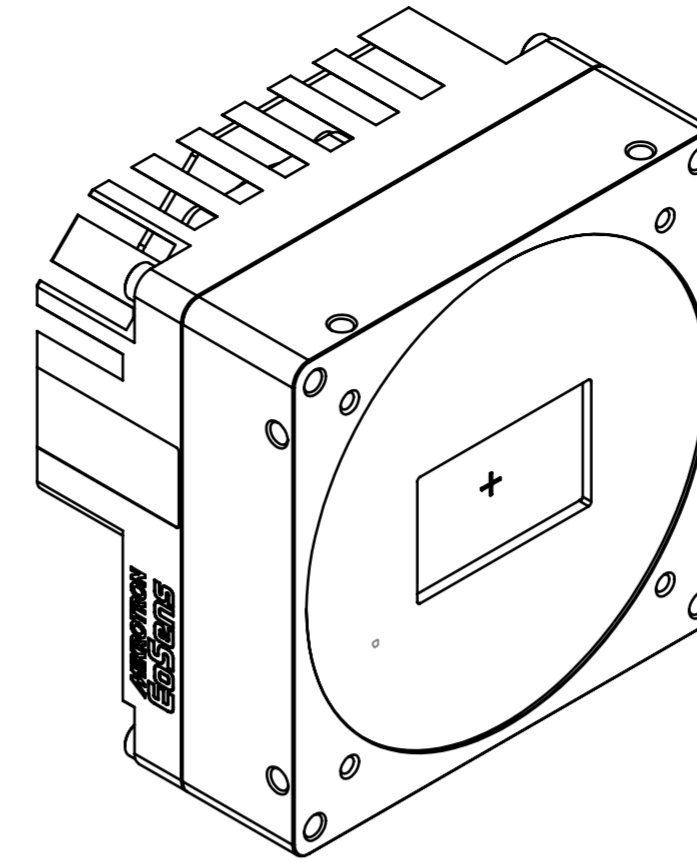
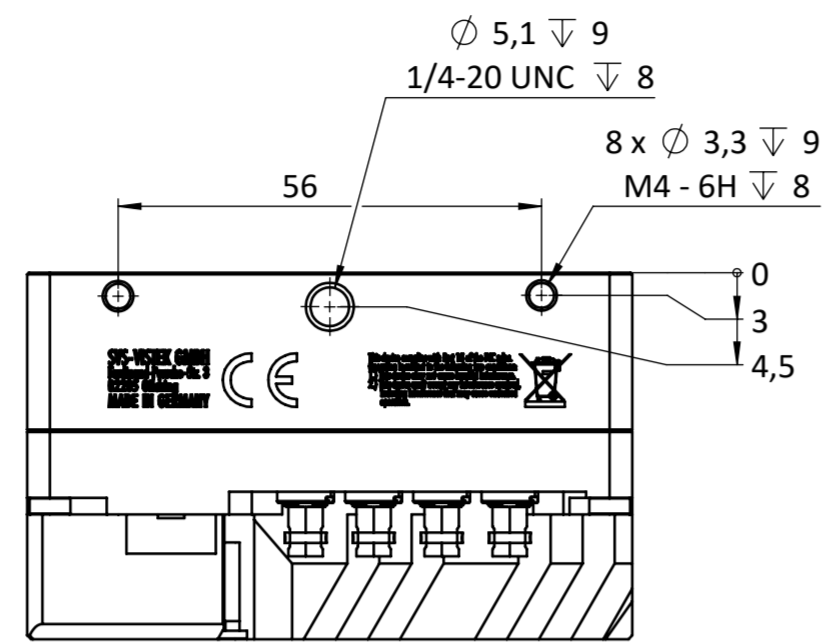
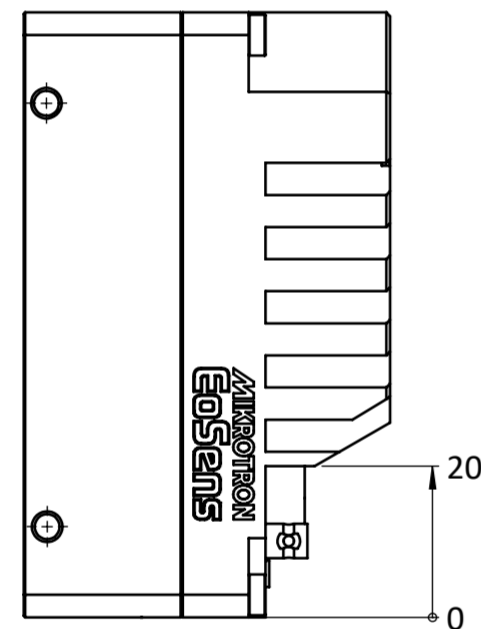


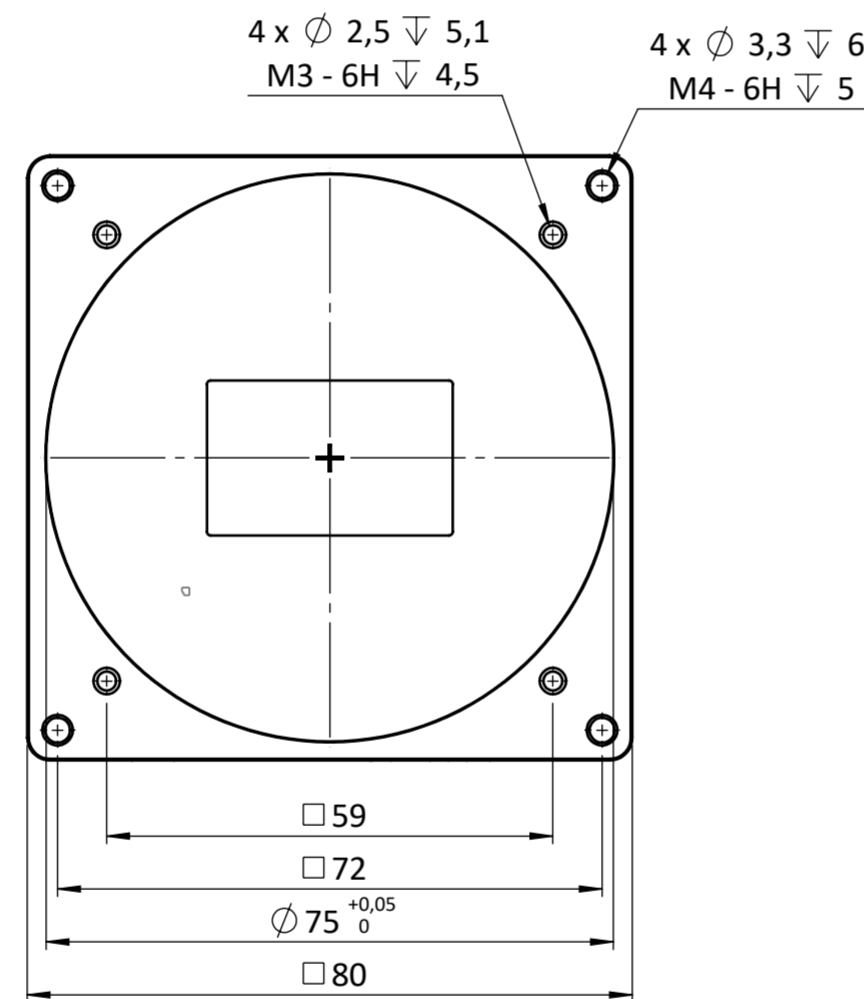
bottom view



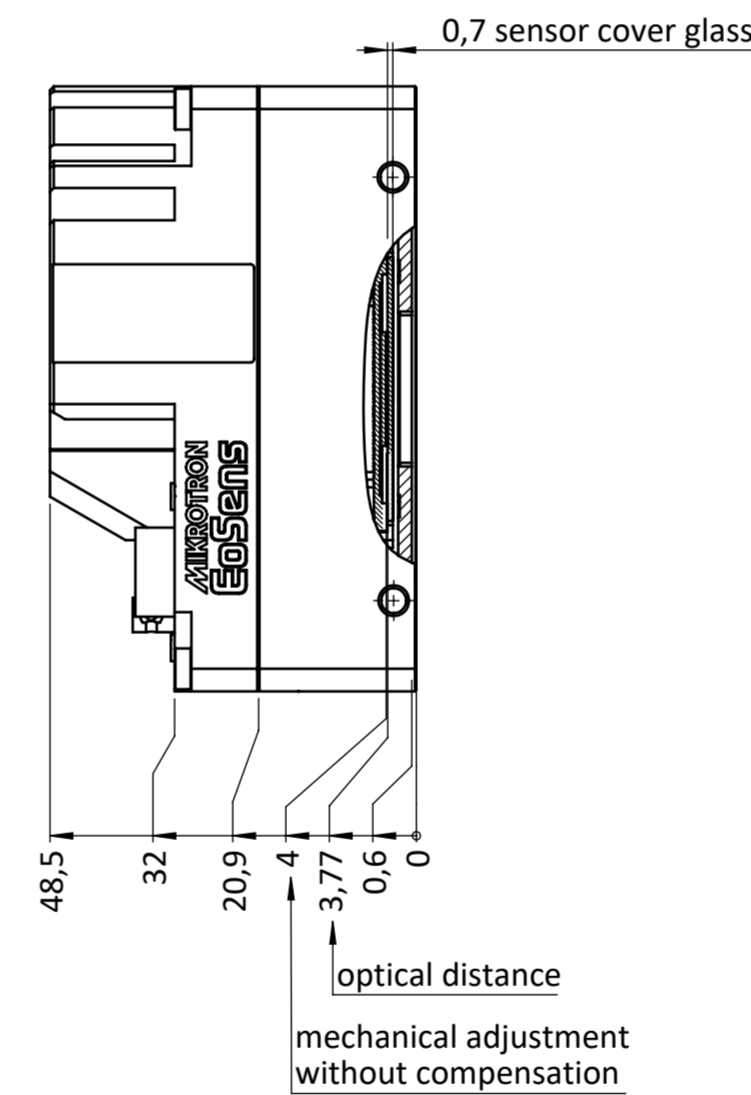
right view



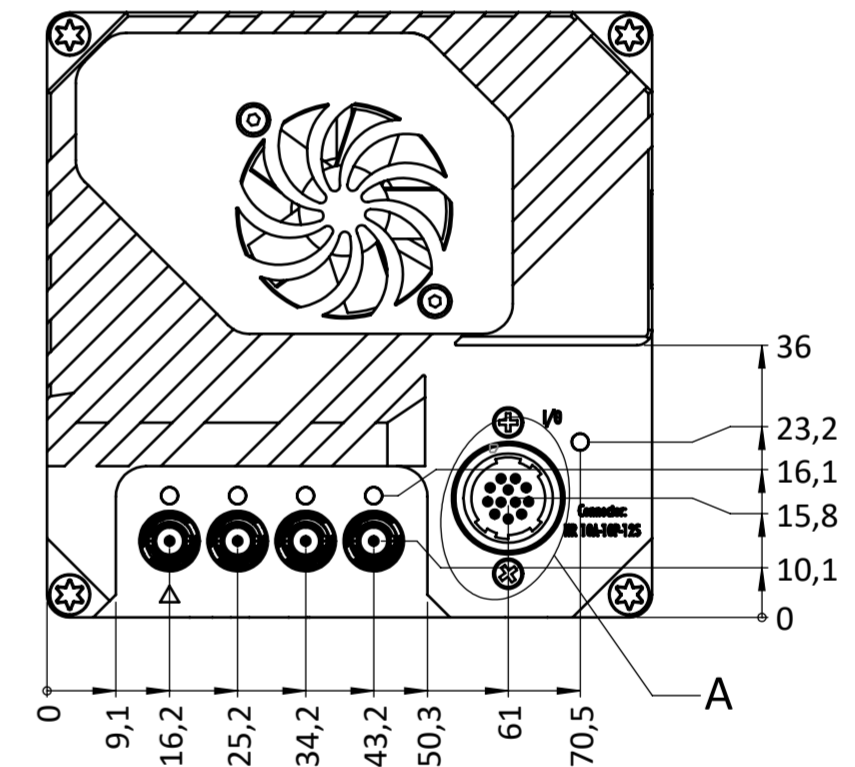
front view



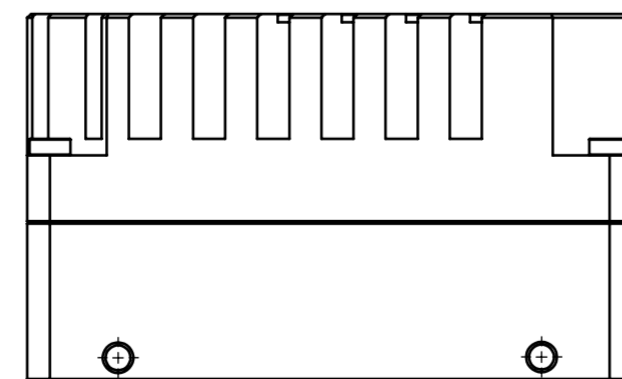
left view



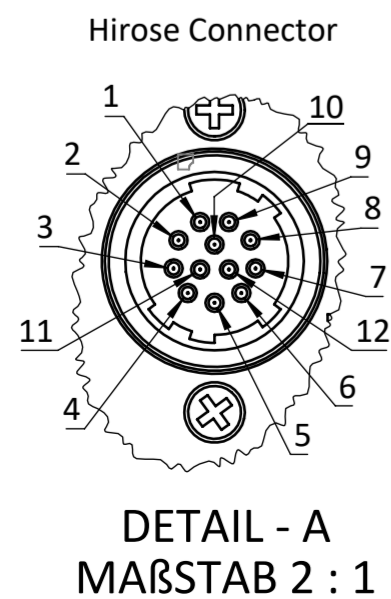
back view



top view



Hirose Pinout	
Pin	Signal
1	V OUT- (GND)
2	V OUT+ (24V)
3	IN 4 RxD (RS232)
4	OUT 4 TxD (232)
5	IN 1 (0 - 24V)
6	IN 2 (0 - 24V)
7	OUT 1
8	OUT 2
9	LVDS Input P
10	LVDS Input N
11	LVDS Output P
12	LVDS Output N



Drawing applies to mono and color cameras

		all dimensions in mm unless otherwise specified	Scale: 1:1 Rev.: 1
Name: _____ Date: 02.09.2025		Customer Interface Drawing	
Drawn: W. Schreiber Checked: ---		Title: EoSens9.5xCX12-FF	
Material: _____		Material No.: ---	
Weight: _____		A2 Blatt/Sheet 1 / 1	