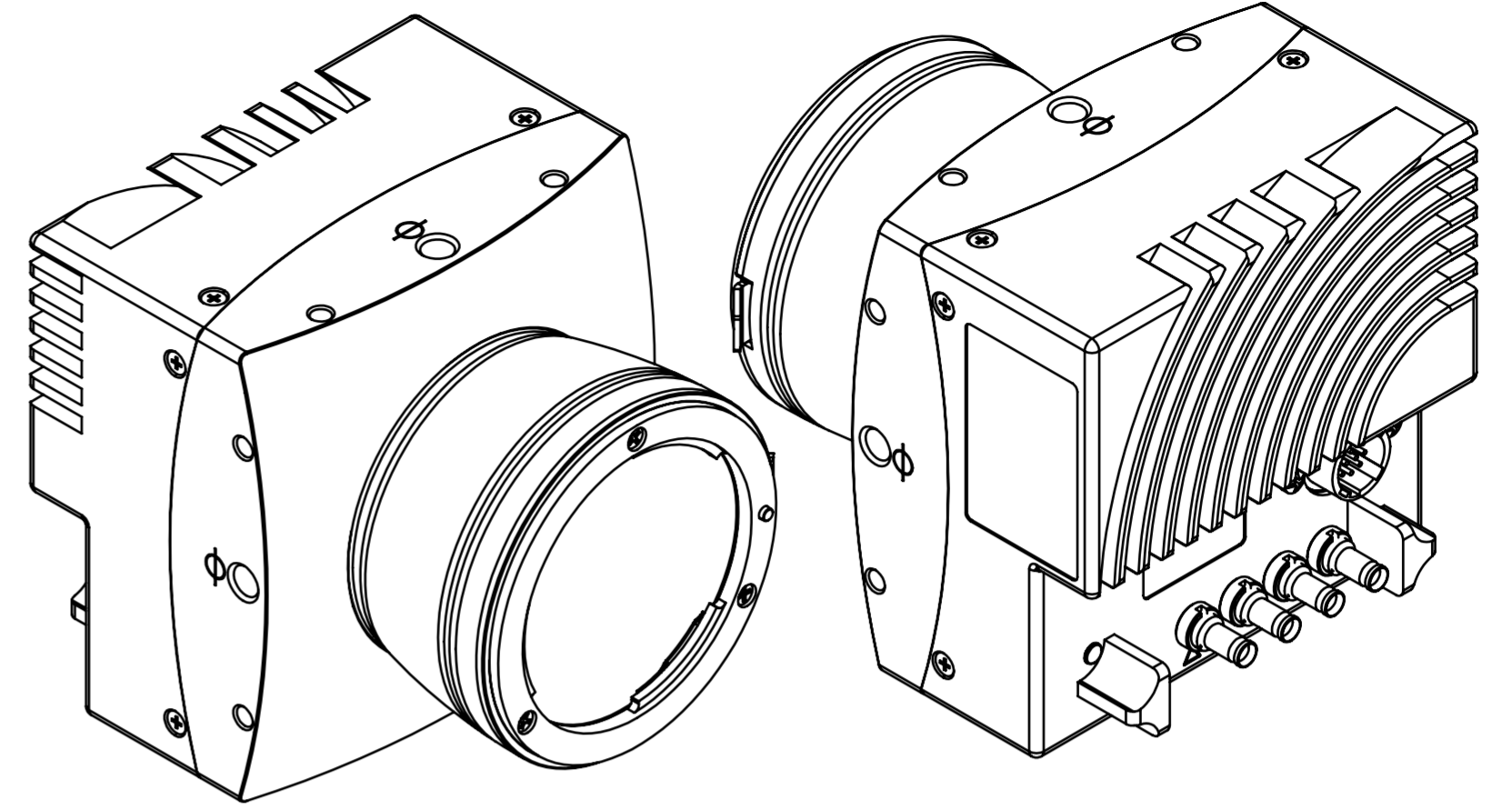
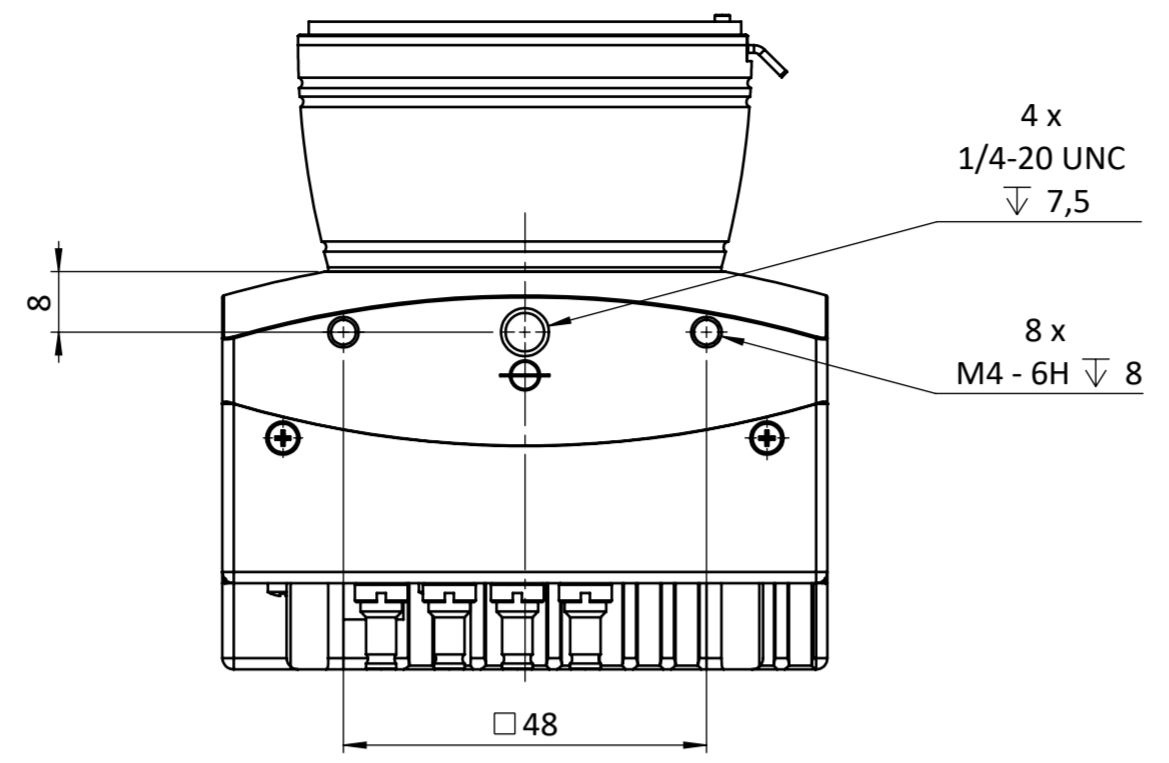
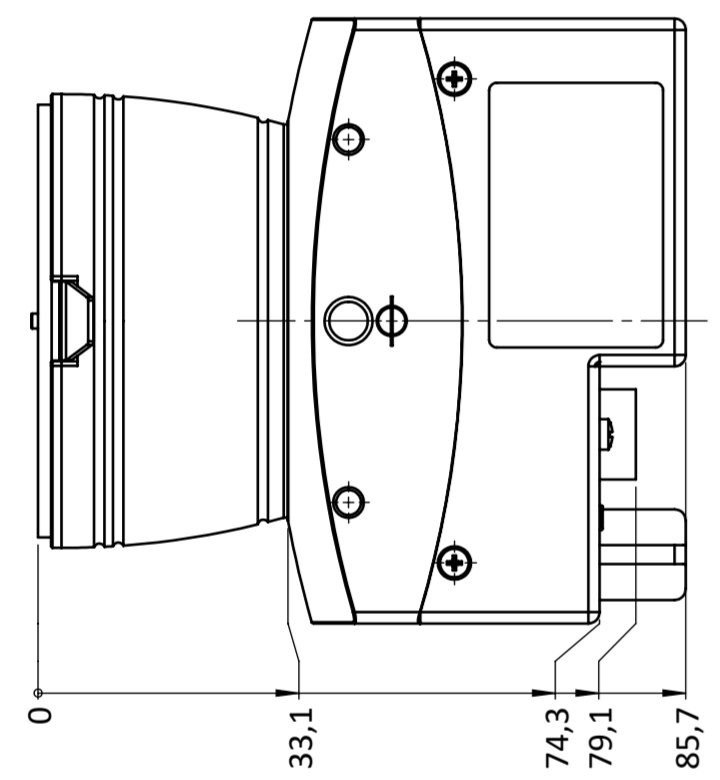


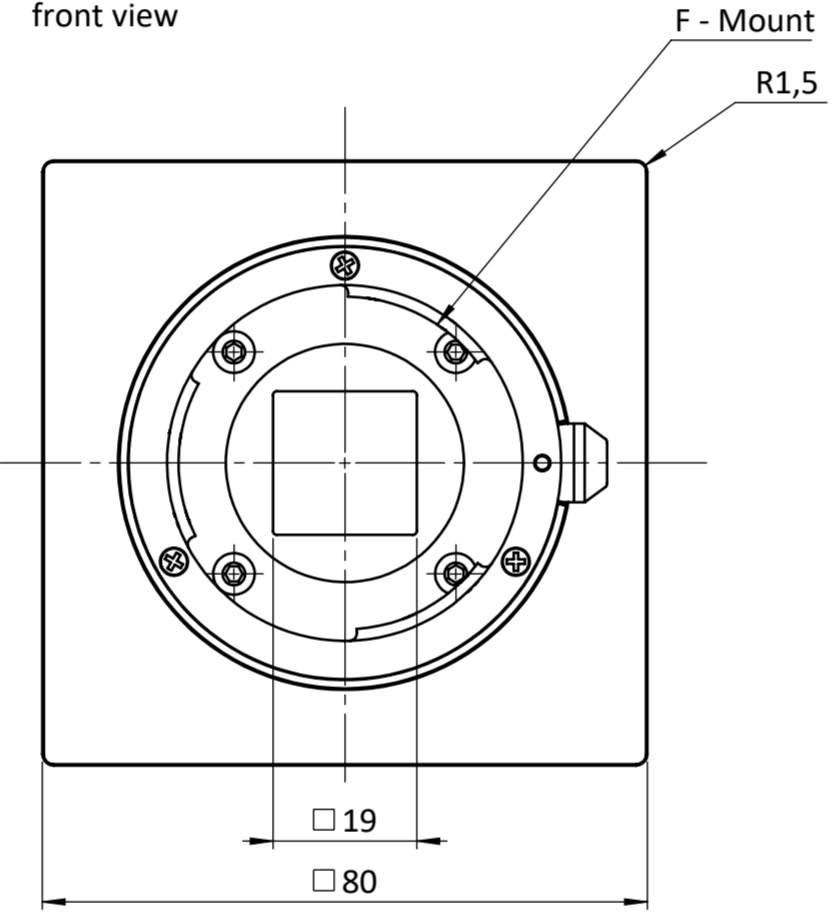
bottom view



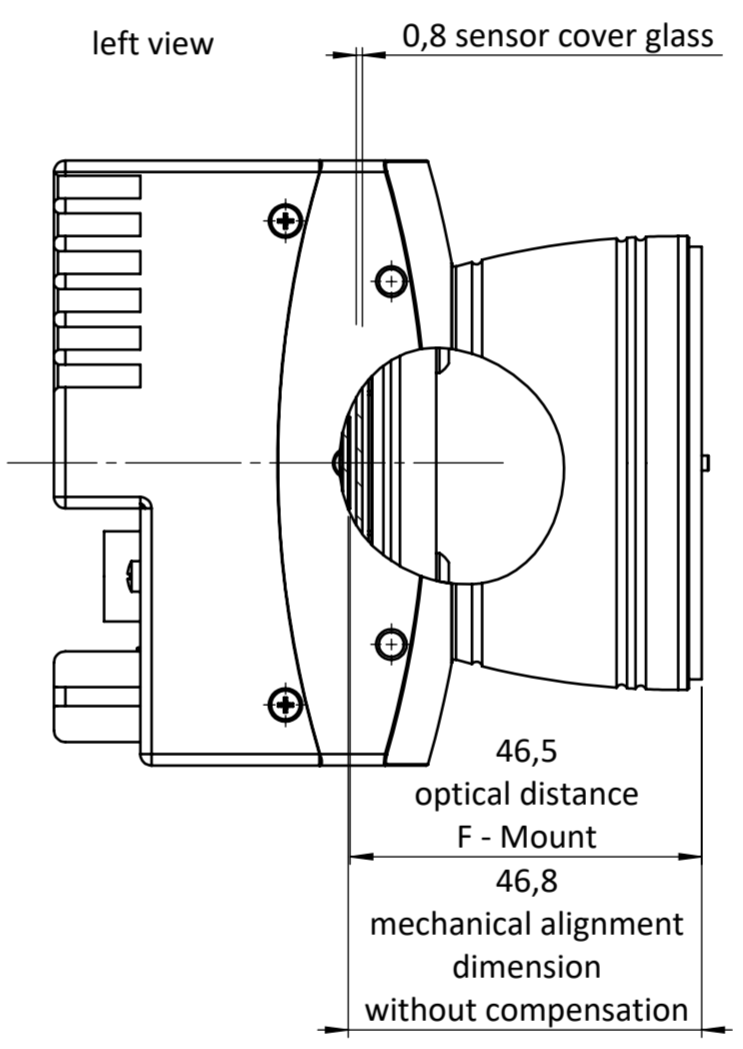
right view



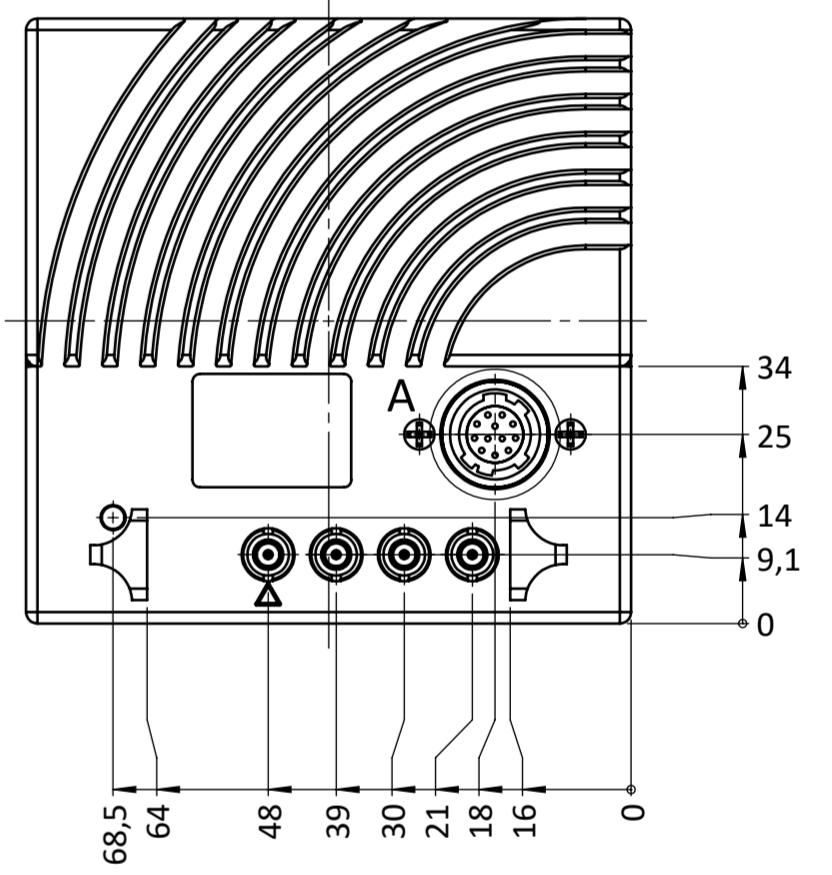
front view



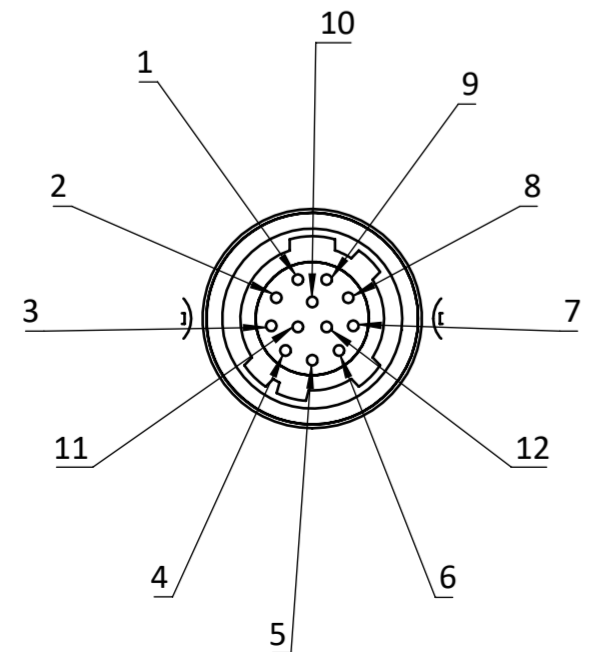
left view



back view

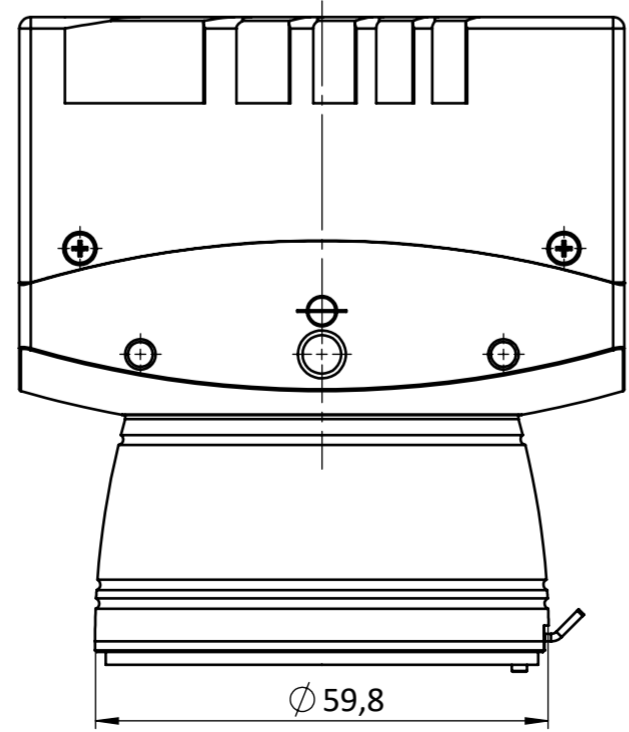


Hirose Connector



DETAIL A SCALE 2 : 1

top view



Hirose Pinout	
Pin	Signal
1	GND
2	VCC (12 - 24V)
3	IO GND
4	OUT 0
5	IO GND
6	IN 0
7	IO GND
8	OUT 1
9	IO GND
10	IN 1
11	VCC (12 - 24V)
12	GND

	all dimensions in mm unless otherwise specified	Scale: 1:1	Rev.: 1						
		Customer Interface Drawing							
		Title: EOSENS4.0MCX6-FM							
<table border="1"> <tr><td>Name</td><td>Sign.</td><td>Date</td></tr> <tr><td>S.Seller</td><td>STB</td><td>13.02.2023</td></tr> </table>		Name	Sign.	Date	S.Seller	STB	13.02.2023	Material:	Material No.:
Name	Sign.	Date							
S.Seller	STB	13.02.2023							
<table border="1"> <tr><td>Drawn</td><td>Checked</td><td>Changed</td></tr> <tr><td>S.Seller</td><td></td><td></td></tr> </table>		Drawn	Checked	Changed	S.Seller			Weight:	A2
Drawn	Checked	Changed							
S.Seller									
			Blatt/Sheet 1 / 1						