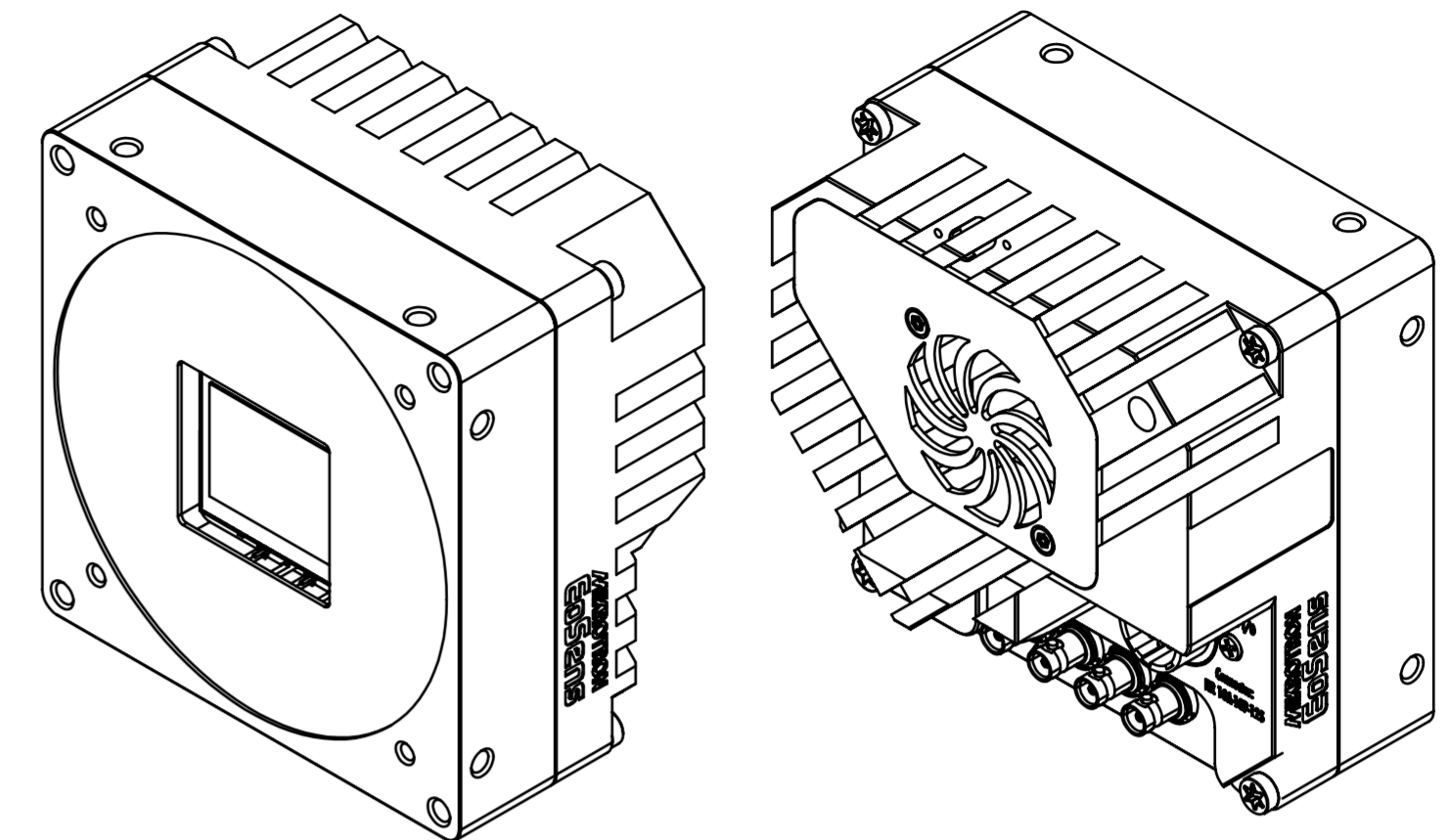
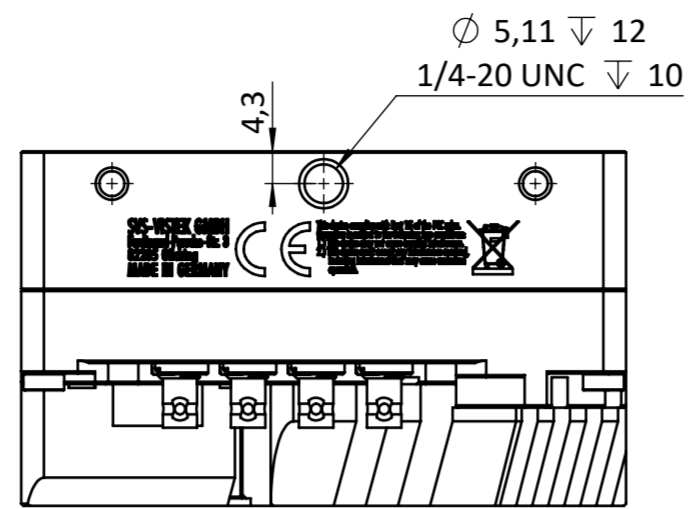
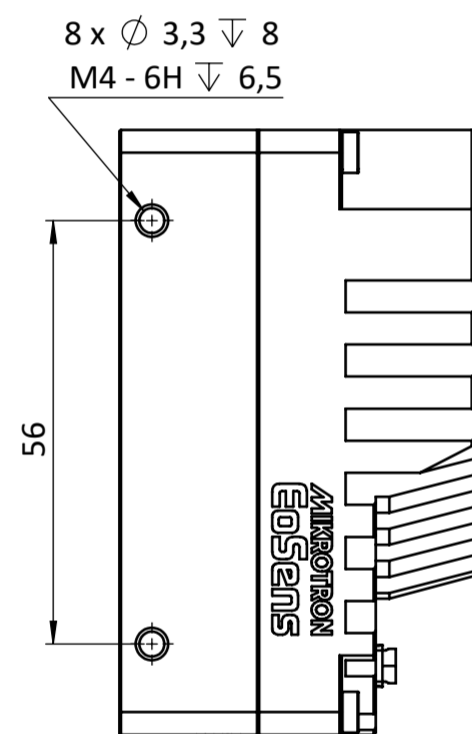


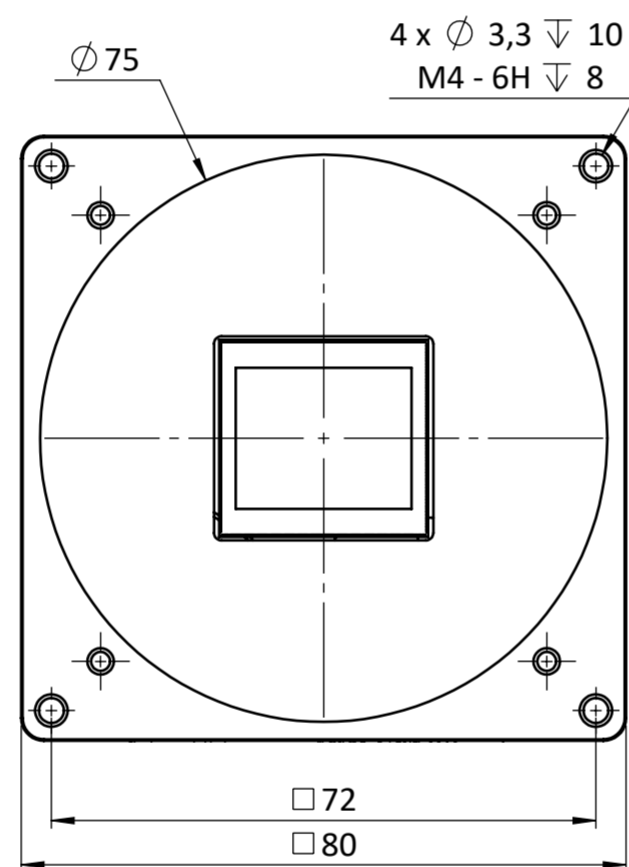
bottom view



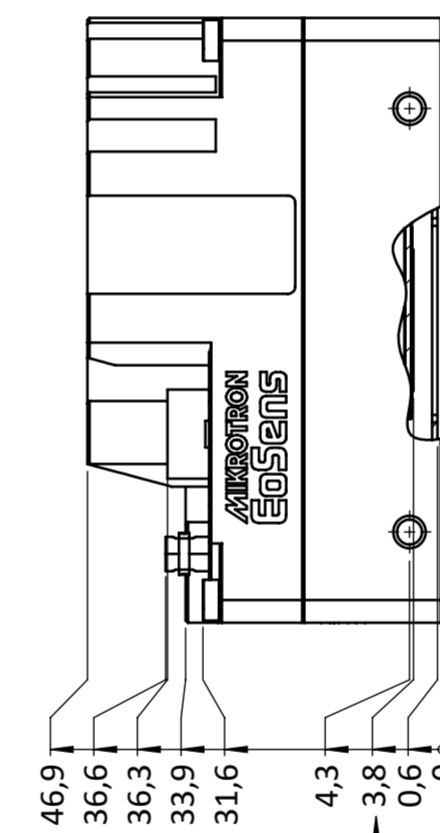
right view



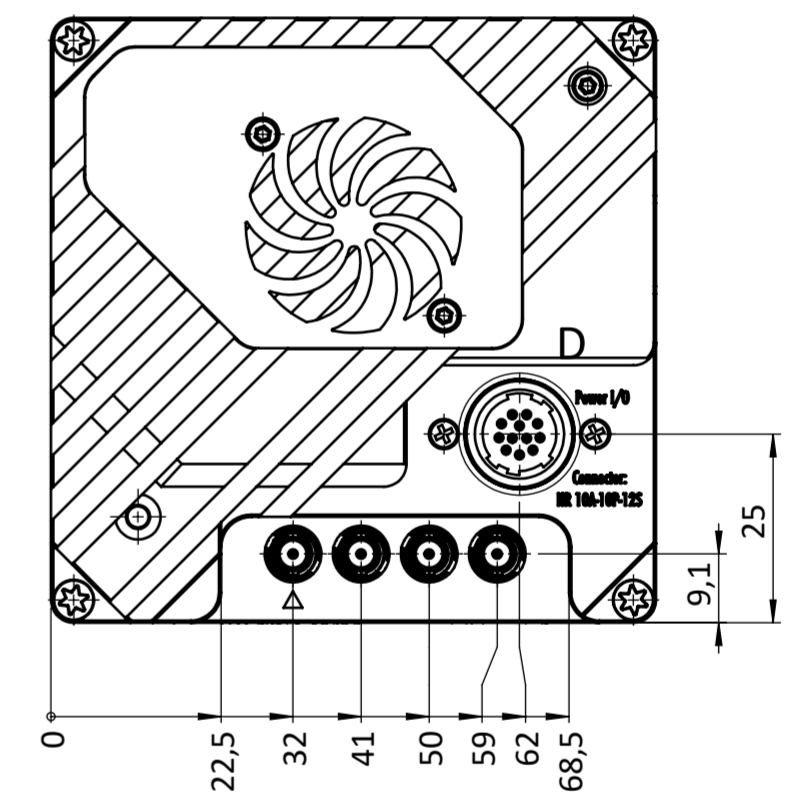
front view



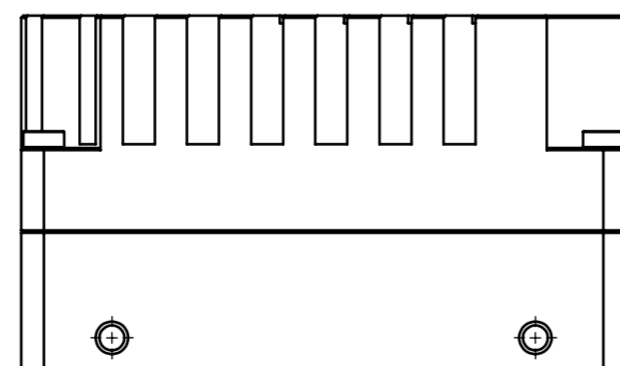
left view



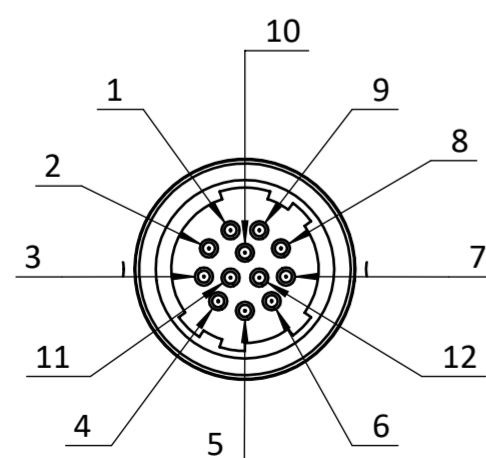
back view



top view



Hirose Connector



DETAIL D
MAßSTAB 2 : 1

Hirose Pinout	
Pin	Signal
1	GND
2	VCC (12 - 24 V)
3	IO GND
4	OUT 0
5	IO GND
6	IN 0
7	IO GND
8	OUT 1
9	IO GND
10	IN 1
11	VCC (12 - 24 V)
12	GND

optical backfocus incl.
cover glass compensation

NOTICE:
The sensor distance 3,8 mm is compensated
for coverglass thickness

	all dimensions in mm unless otherwise specified		Scale: 1:1	Rev.: 1
	Name: C.Thomas Date: 08.08.2024		Customer Interface Drawing	
Title: EOSENS21MCX (NEXT GEN) - CID-Drawing	Material:		Material No.: F006217-01001	
Weight:		A2		Blatt/Sheet 1 / 1