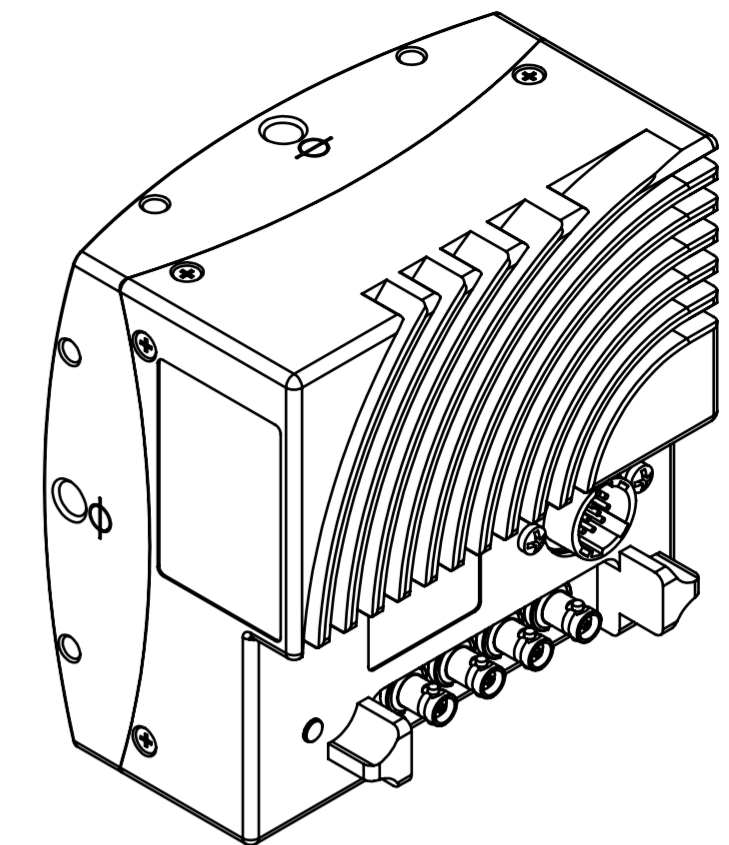
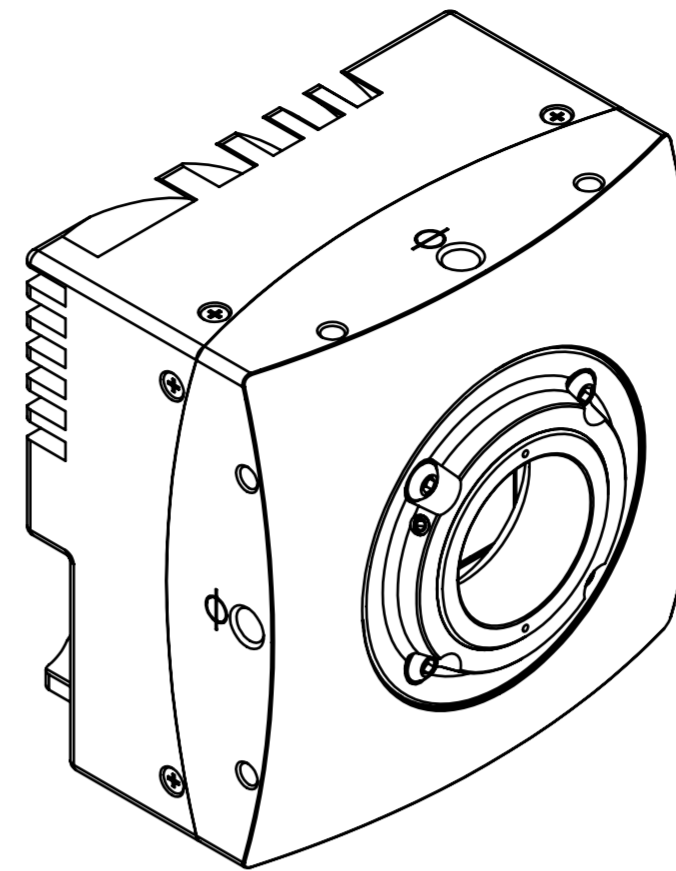
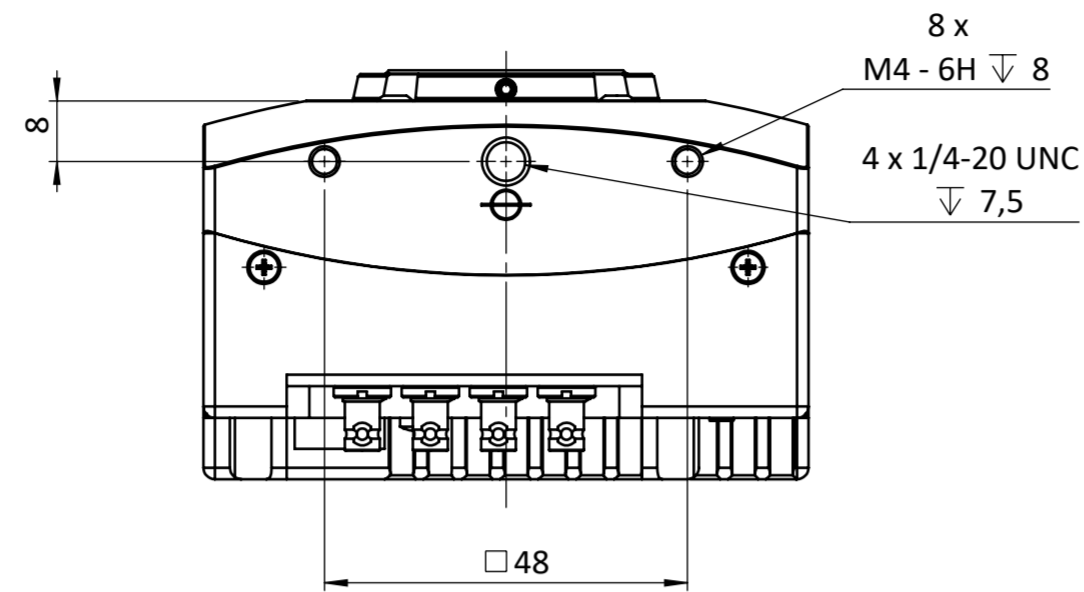
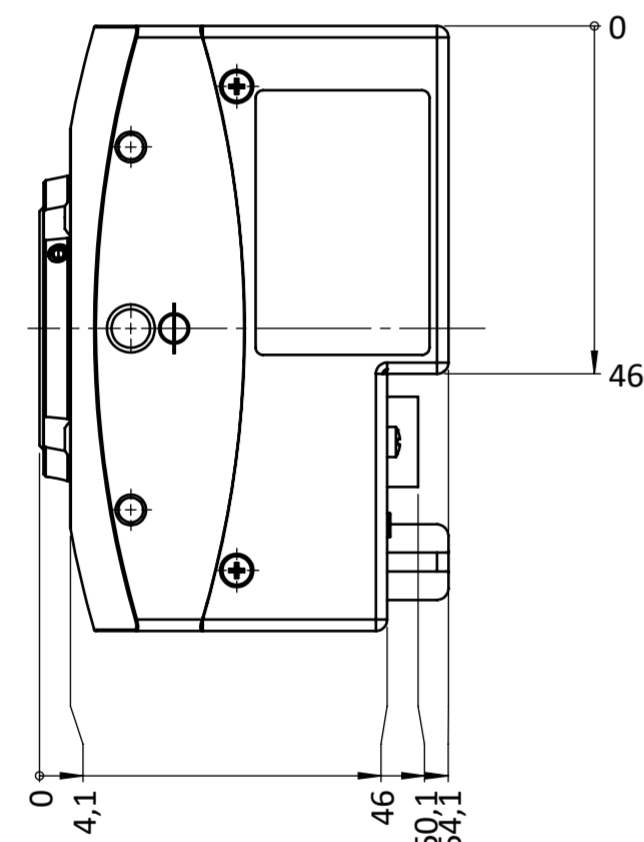


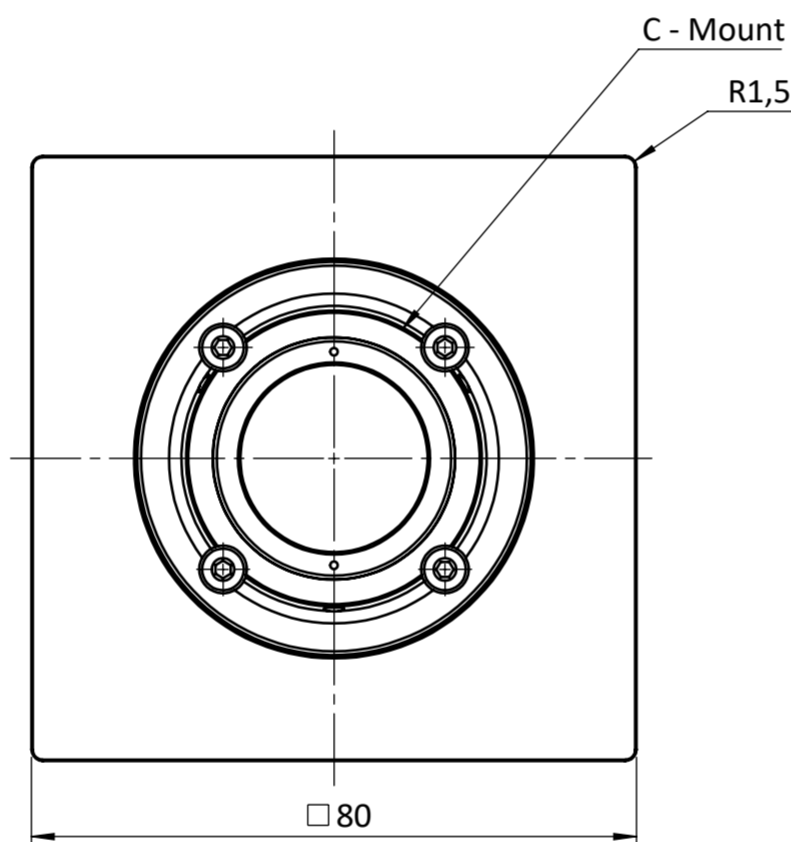
bottom view



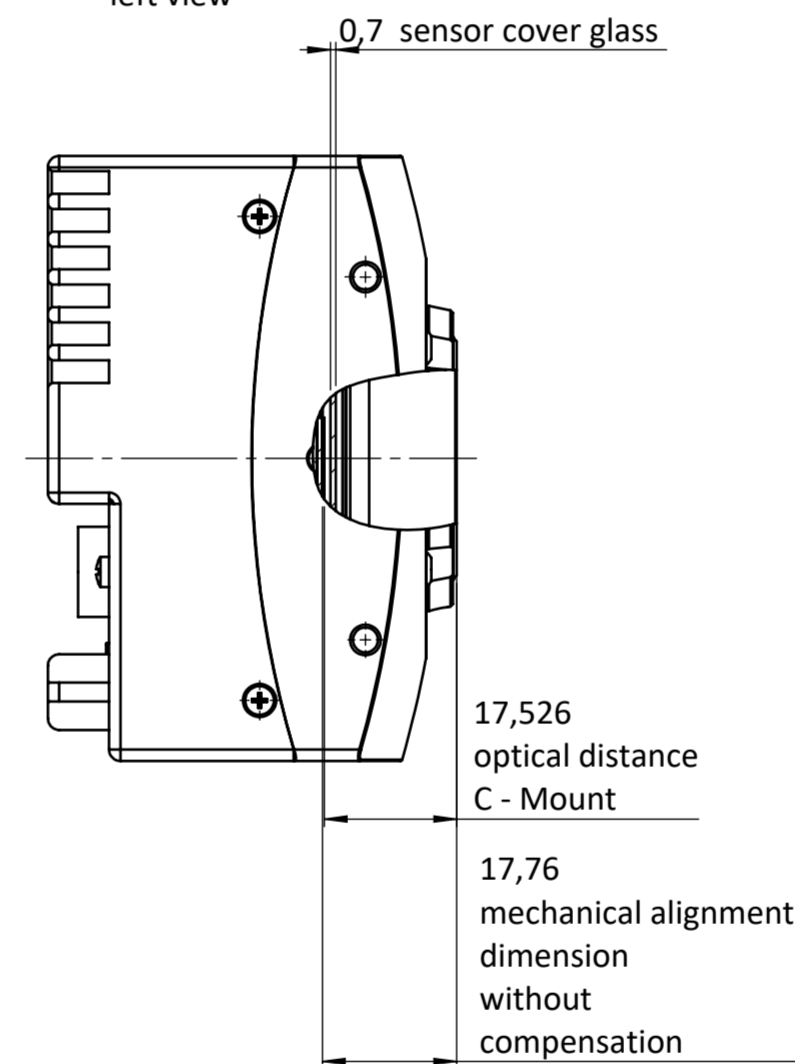
right view



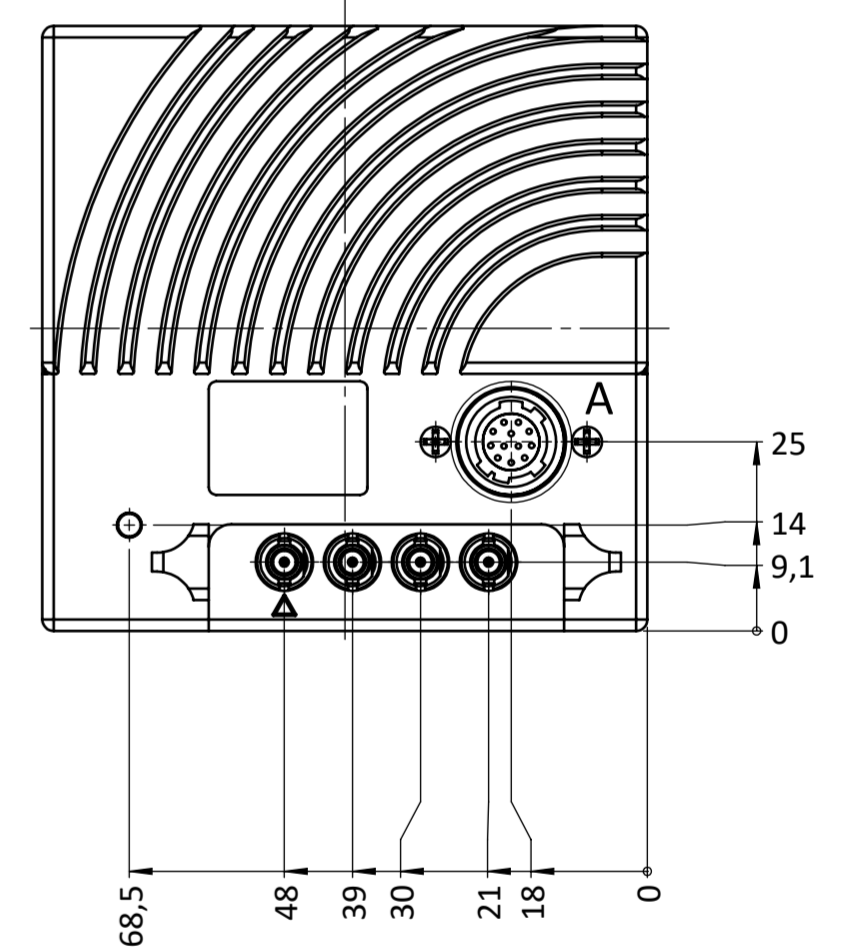
front view



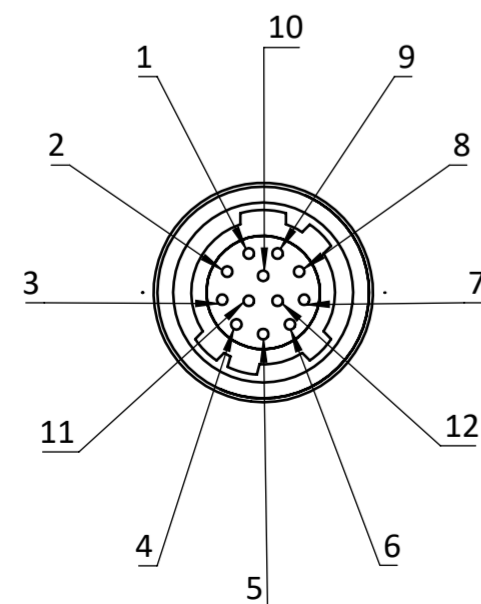
left view



back view

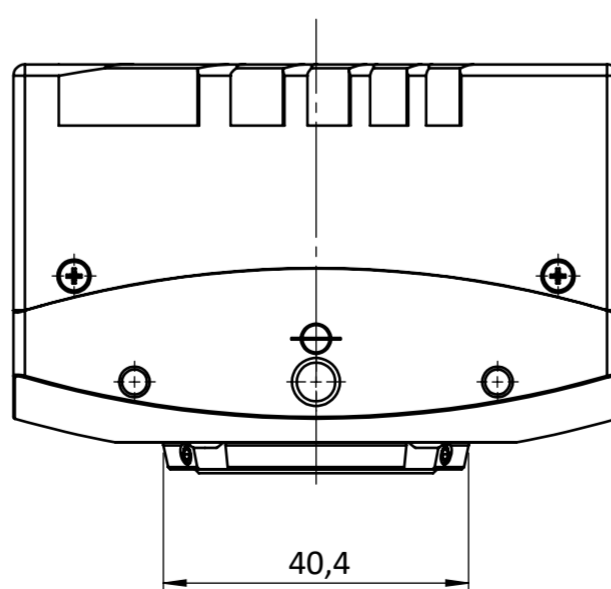


Hirose Connector



DETAIL A
SCALE 2 : 1

top view



Hirose Pinout	
Pin	Signal
1	GND
2	VCC (12 - 24V)
3	IO GND
4	OUT 0
5	IO GND
6	IN 0
7	IO GND
8	OUT 1
9	IO GND
10	IN 1
11	VCC (12 - 24V)
12	GND

drawing applies to
EoSens2.0MCX12-CM
EoSensCreation2.0MCX12-CM2

 High-Speed Vision Solutions	all dimensions in mm unless otherwise specified	Scale: 1:1	Rev.: 1
	Customer Interface Drawing		Title: EoSens2.0MCX12-CM
Drawn: S.Seller Checked:	Name: S.Seller Sign: [Signature] Date: 12.12.2022	Material:	Material No.:
Weight:		A2	
			Blatt/Sheet 1 / 1