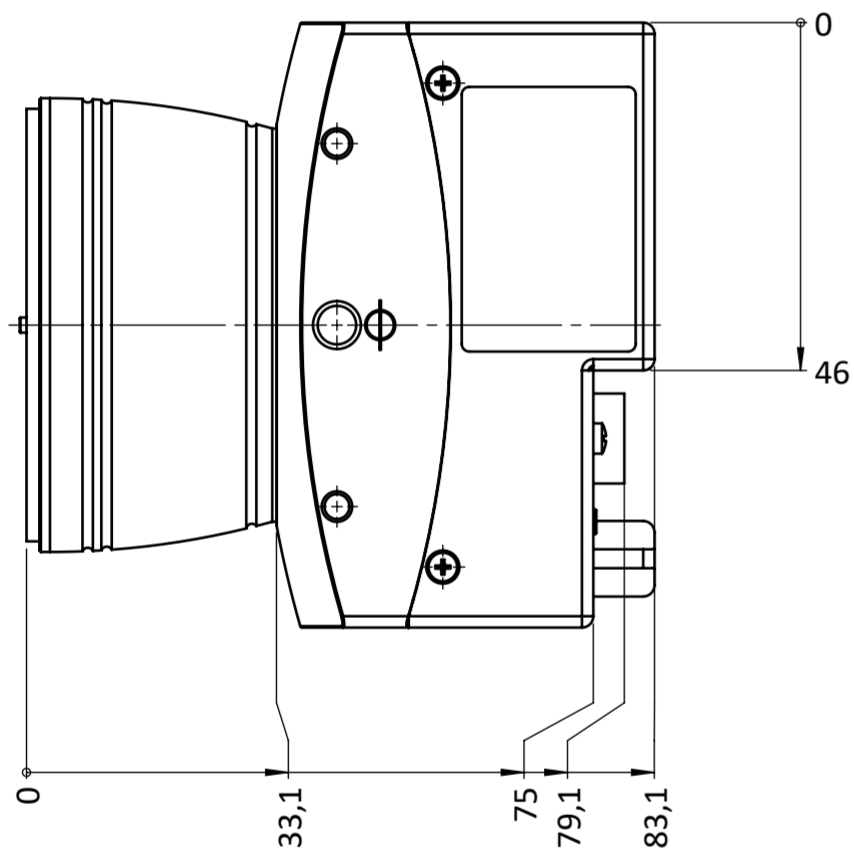
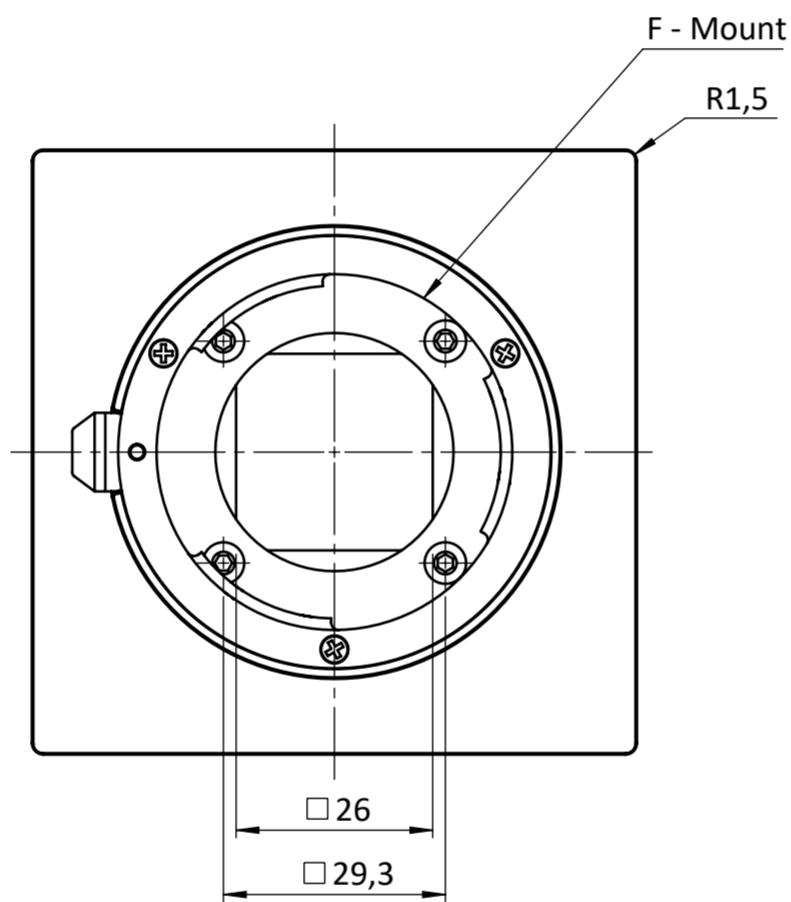


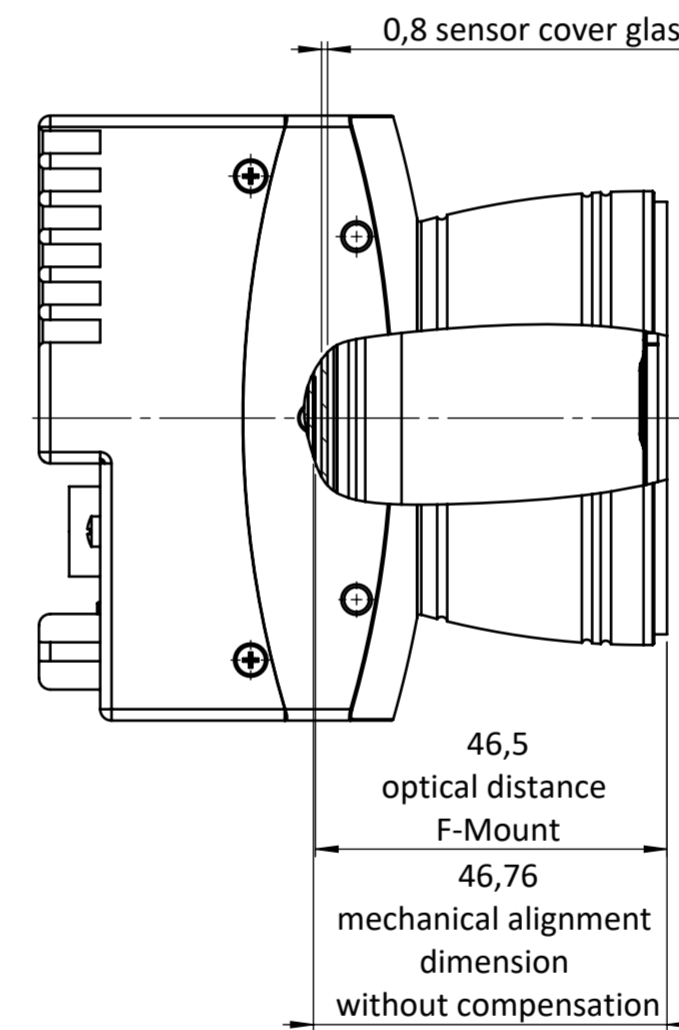
right view



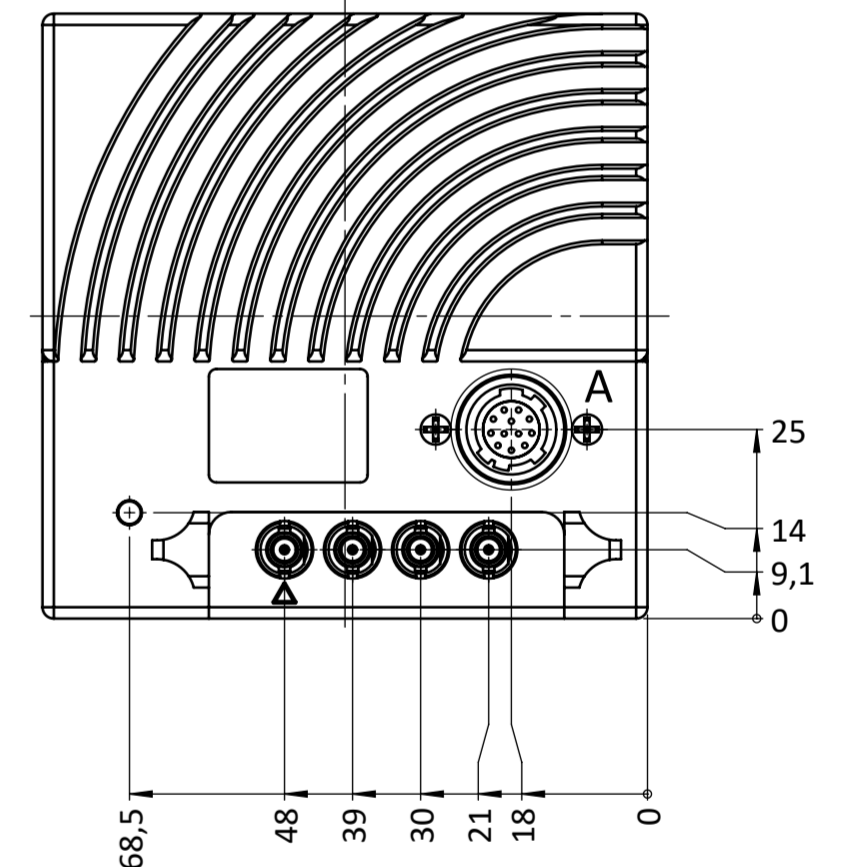
front view



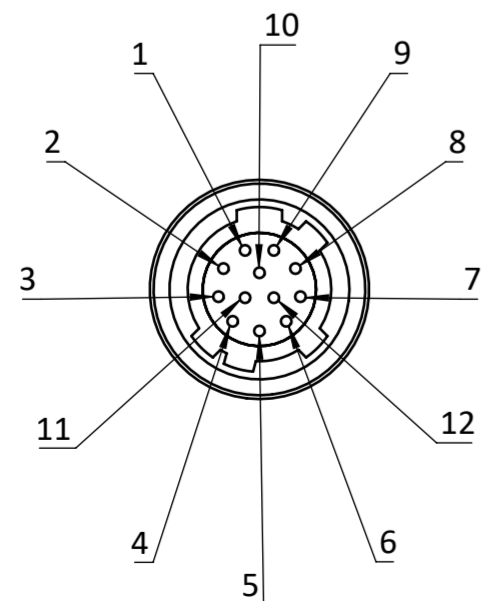
left view



back view

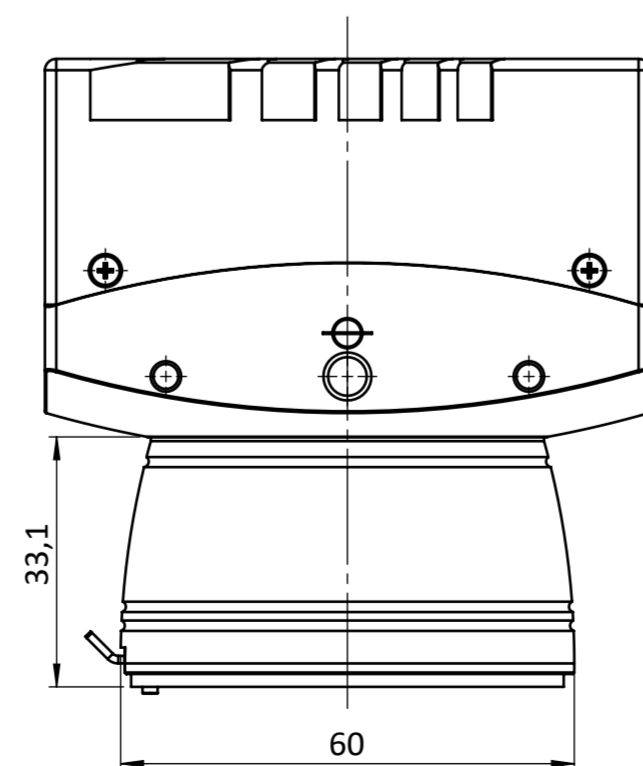


Hirose Connector



DETAIL A
SCALE 2 : 1

top view



drawing applies to
EoSens1.1MCX12-FM
EoSensCreation1.1MCX12-FM2

Hirose Pinout	
Pin	Signal
1	GND
2	VCC (12 - 24V)
3	IO GND
4	OUT 0
5	IO GND
6	IN 0
7	IO GND
8	OUT 1
9	IO GND
10	IN 1
11	VCC (12 - 24V)
12	GND



all dimensions in mm unless otherwise specified

Scale: 1:1 Rev.: 1

Customer Interface Drawing

Title: EoSens1.1MCX12-FM

Name	Sign.	Date
S.Seller		12.12.2022

Material:
Weight:

Material No.:
A2
Blatt/Sheet 1 / 1