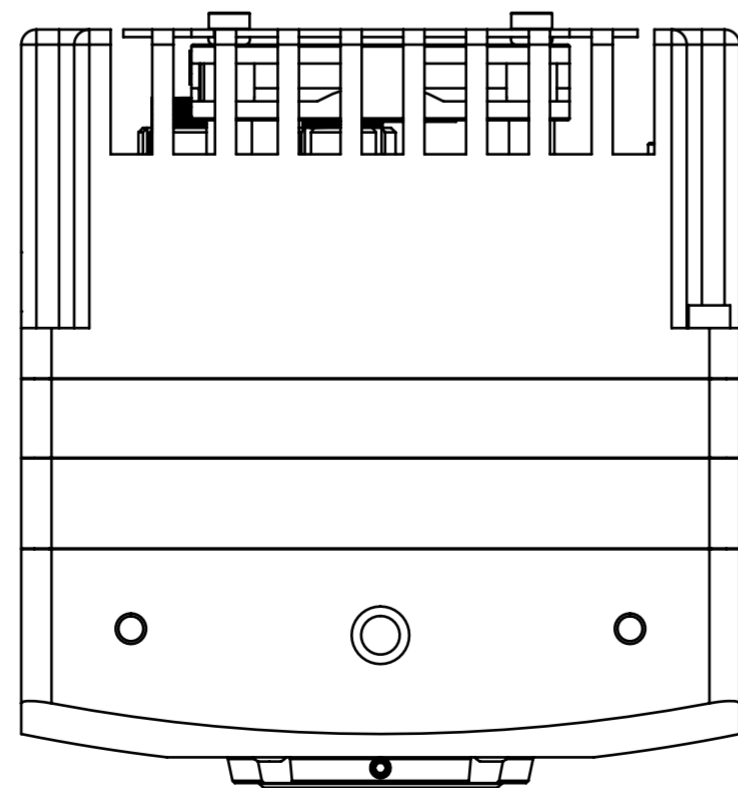
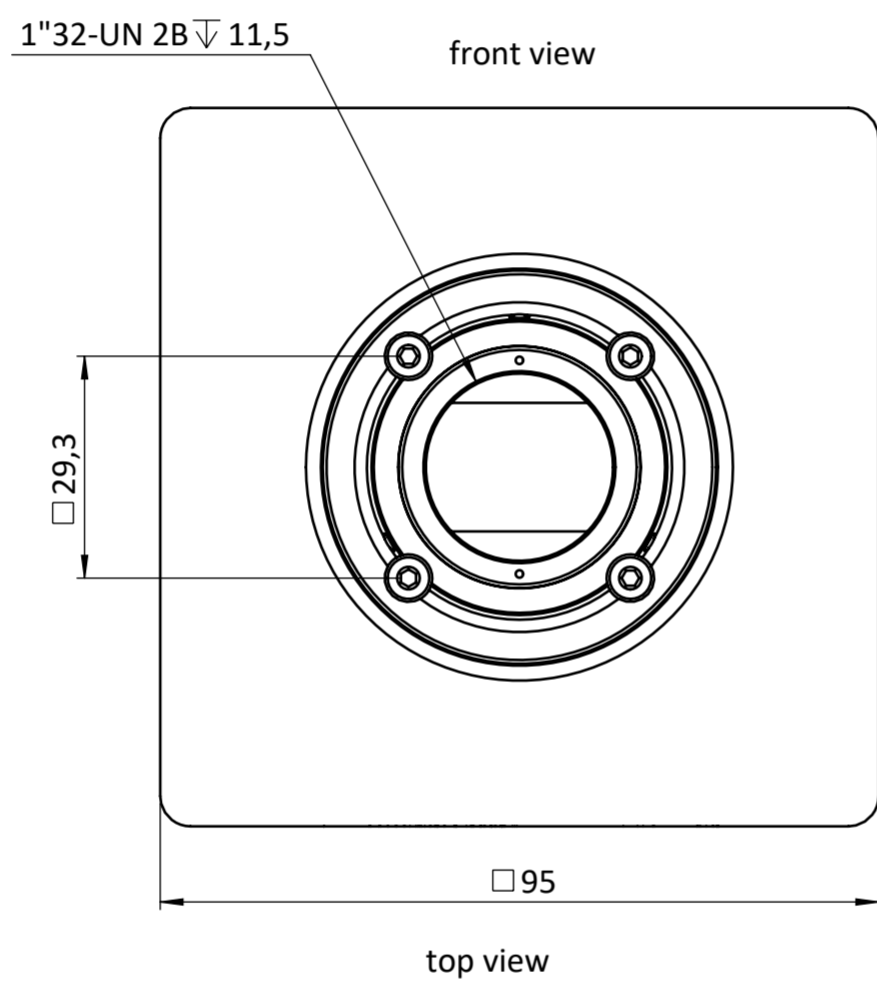
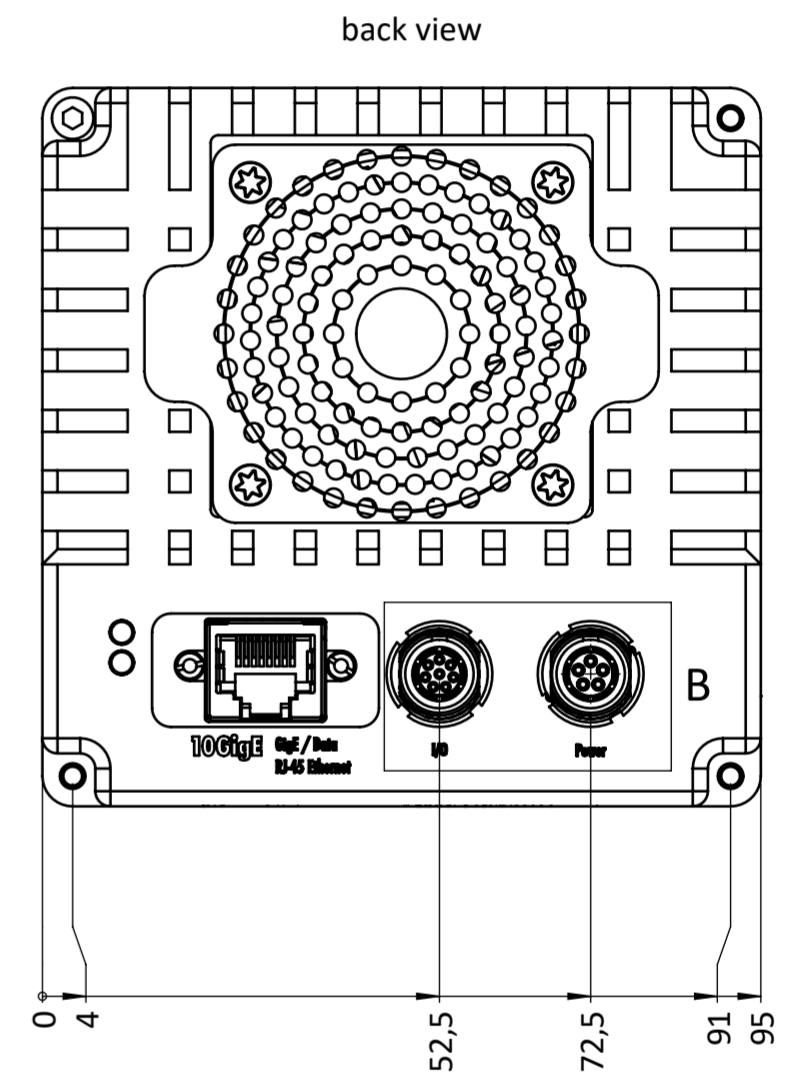
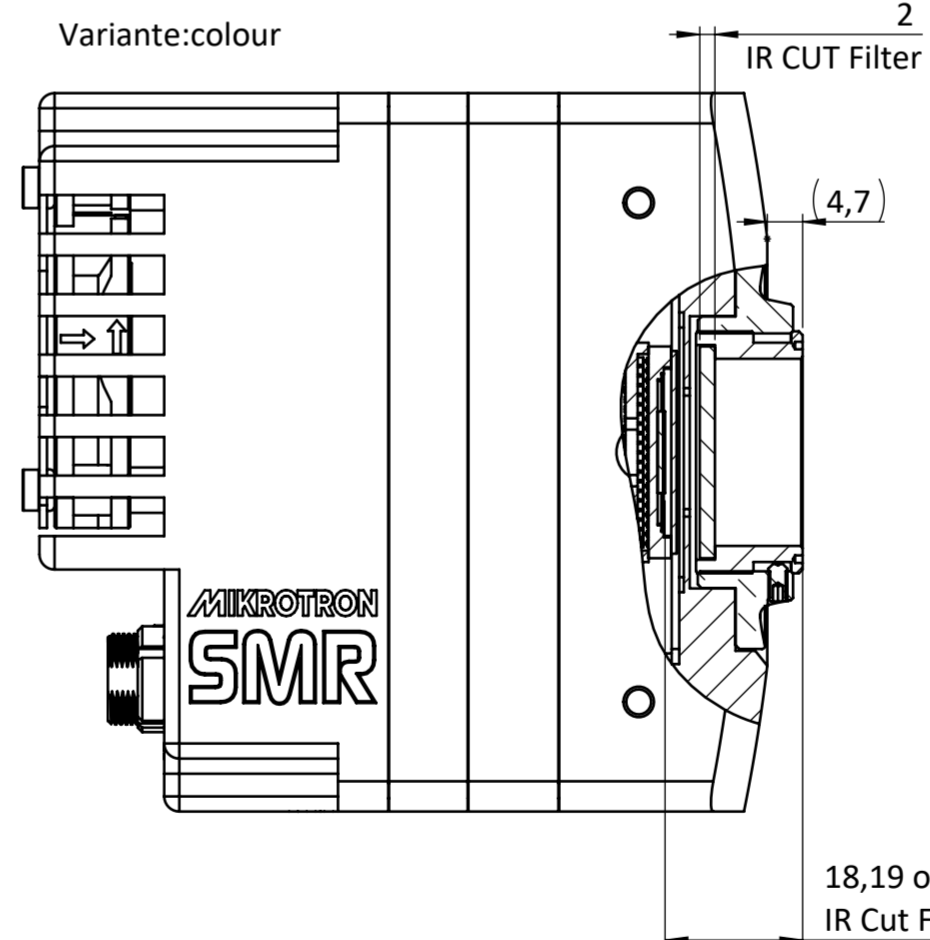
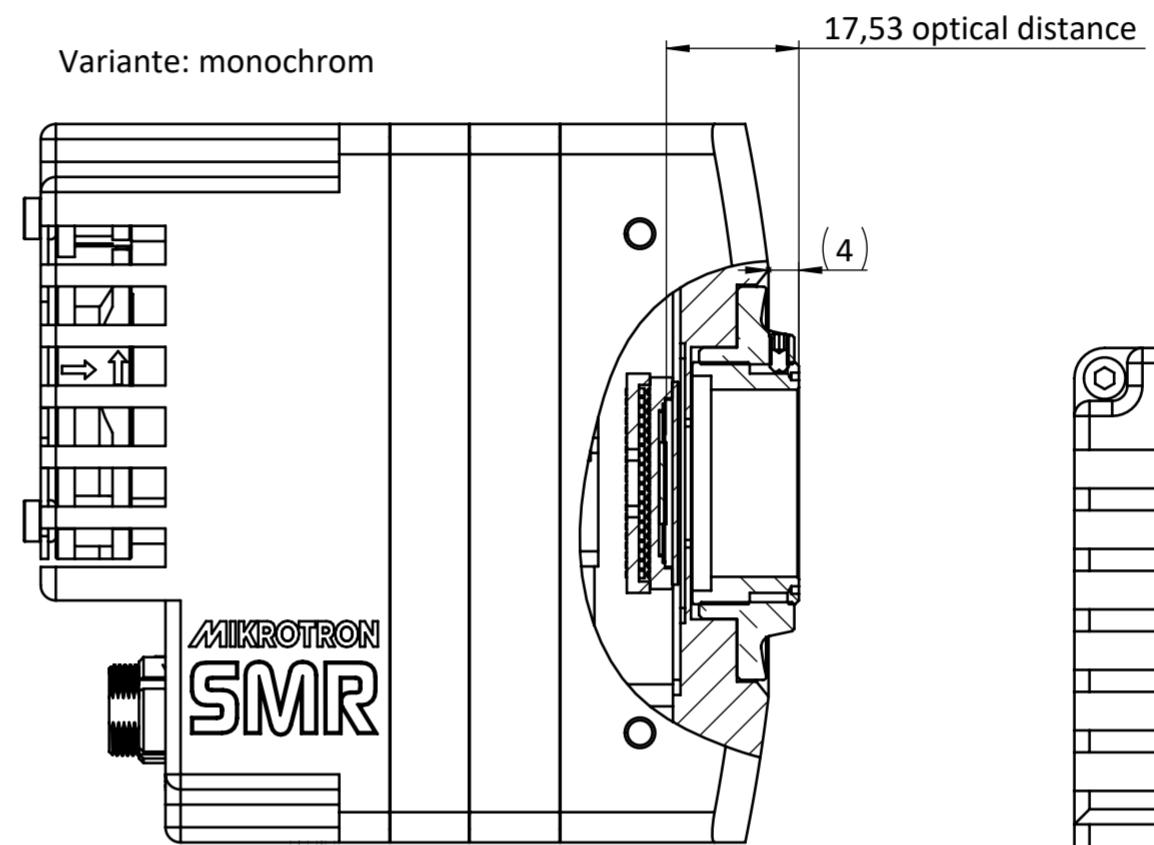


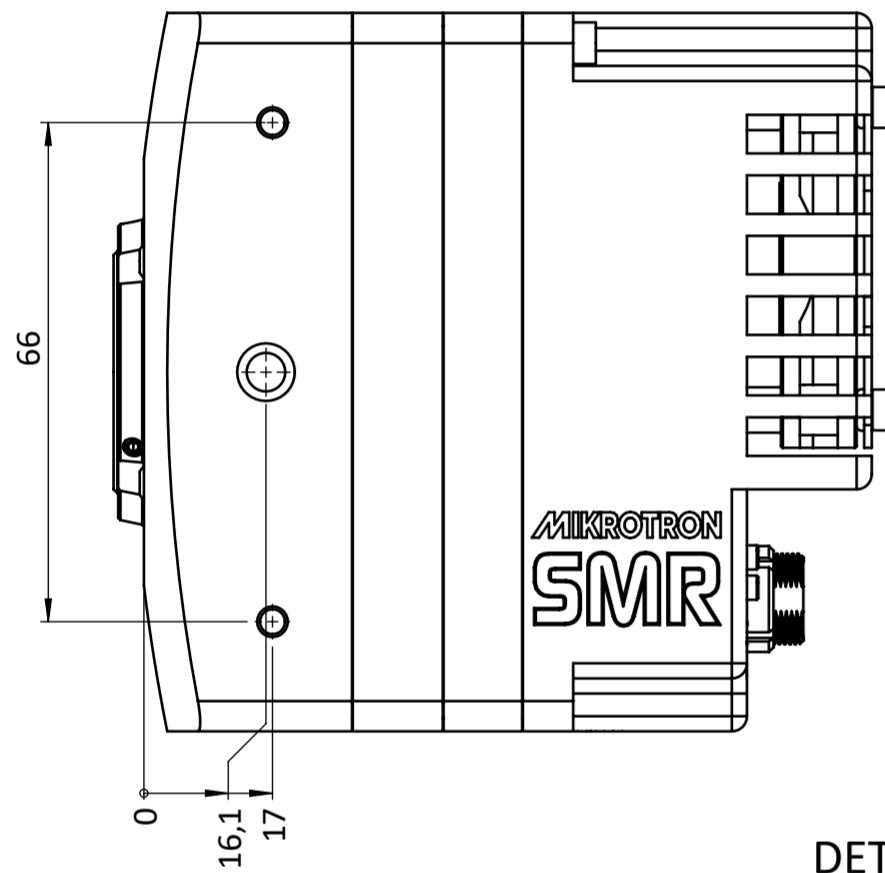
4 x \varnothing 5,11 ∇ 9,5
1/4-20 UNC ∇ 7

8 x \varnothing 3,3 ∇ 8,5
M4 - 6H ∇ 5

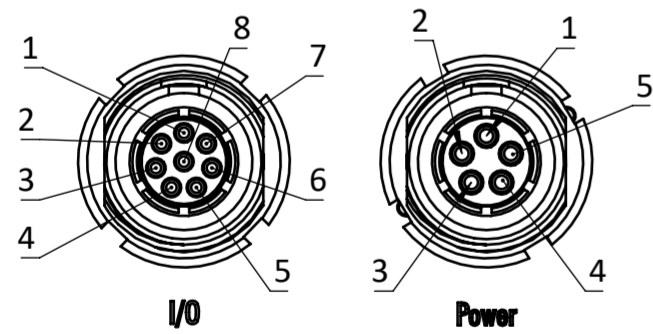
left view



right view



DETAIL B
MAßSTAB 2 : 1



PIN	I/O	POWER
1	IOGND (All IO signals refer to this GND)	+10.5 to 30V
2	n.c	+10.5 to 30V
3	DigOUT (Digital output configurable)	n.c
4	DigIN 1 (Digital input configurable)	GND
5	DigIN 2 (Digital input configurable)	GND
6	IRIG IN (IRIG-B timestamp decoder)	
7	DigIN 3 (Digital input configurable)	
8	DigIN 4 (Digital input configurable)	

drawing applies to cameras

Allied Vision

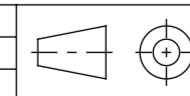
all dimensions in mm unless otherwise specified

Scale: 1:1

Rev.: 1

Customer Interface Drawing

Drawn: HA, 25.06.2026
Checked: HA, 25.06.2026



Title: SMR2.OSMXGE-CM32
SMR2.OSCXGE-CM32

Material:

Material No.:

A2

Weight:

Blatt/Sheet 1 / 2

Notation:

the comma is equivalent to a decimal point

MAßSTAB = Scale

Schnitt = section view

umlaufend = circumferential

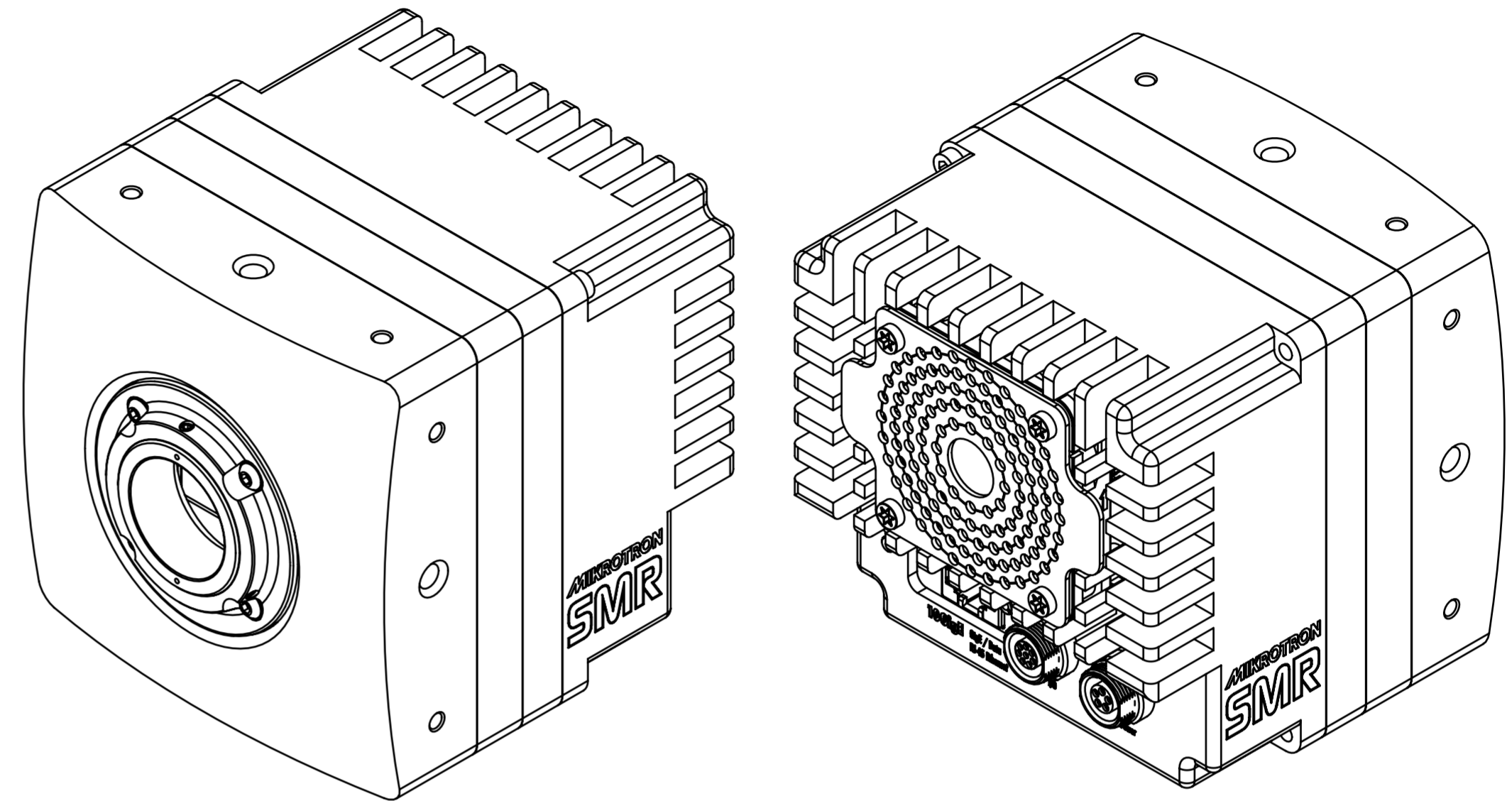
durch alles = through all

Oberfläche = surface

Gewinde = thread

freigestellt = remove anodized coating

Beschriftungsdatei = file for laser engraving



Bei der Farbkameravariante verändert der IR-Cut-Filter durch seine Glasdicke den optischen Weg (optische Weglänge/Backfocus verschiebt sich). Daher muss dies mechanisch kompensiert werden – z. B. durch ein Metallblech als Distanzshim – sodass die optische Einbaulänge („optical distance“) den Filter bereits mit berücksichtigt .

In the color camera variant, the IR-cut filter alters the optical path due to its glass thickness (shifting the optical path length/back focus). Therefore, this must be mechanically compensated for—e.g., using a metal shim—so that the optical installation length ("optical distance") already accounts for the filter.

		all dimensions in mm unless otherwise specified		Scale: 1:1	Rev.: 1
				Customer Interface Drawing	
Drawn	HA	Sign.	Date		
Checked	HA		25.06.2026		
				Title: SMR2.OSMXGE-CM32 SMR2.OSCXGE-CM32	
				Material:	Material No.: A2
				Weight:	Blatt/Sheet 2 / 2